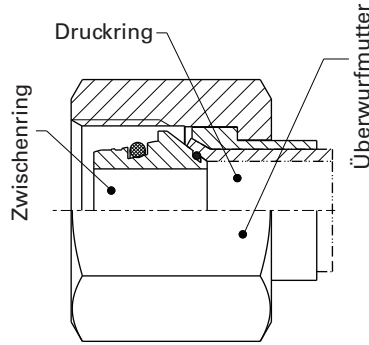


Flare connecting parts for flare tube fittings

BO-A ...

BO-A ...-1.4571

- Flare connecting parts for flare tube fittings, consisting of



Flare connecting parts
BO-A ...

Flare connecting parts
Stainless steel
(1.4571)
BO-A ...
VI-1.4571



Series	PN bar (psi)	Tube outer diameter d _N	Model	kg/ 100 pc.	Art. no.*	Art. no.	Intermediate ring with O-rings	Sleeve	Union nut
L	500 (7252)	6	BO-A 6 L	1.6	WAL374800	WAL603919	BO-ZR 6 L/S	BO-DR 6 L/S	BO-M 6 L
		8	BO-A 8 L	2.4	WAL374801	WAL603920	BO-ZR 8 L/S	BO-DR 8 L/S	BO-M 8 L
		10	BO-A 10 L	3.2	WAL374802	WAL603921	BO-ZR 10 L/S	BO-DR 10 L/S	BO-M 10 L
		12	BO-A 12 L	4.4	WAL374803	WAL603922	BO-ZR 12 L/S	BO-DR 12 L/S	BO-M 12 L
	400 (5801)	15	BO-A 15 L	7.2	WAL374804	WAL603923	BO-ZR 15 L	BO-DR 15 L	BO-M 14 S/15 L
		18	BO-A 18 L	10.1	WAL374805	WAL603924	BO-ZR 18 L	BO-DR 18 L	BO-M 18 L
		22	BO-A 22 L	14.2	WAL374806	WAL603925	BO-ZR 22 L	BO-DR 22 L	BO-M 20 S/22 L
		28	BO-A 28 L	15.9	WAL374807	WAL603926	BO-ZR 28 L	BO-DR 28 L	BO-M 28 L
		35	BO-A 35 L	25.5	WAL374808	WAL603927	BO-ZR 35 L	BO-DR 35 L	BO-M 35 L
		42	BO-A 42 L	42.2	WAL374809	WAL603928	BO-ZR 42 L	BO-DR 42 L	BO-M 42 L
S	630 (9137)	6	BO-A 6 S	2.4	WAL374810	WAL603929	BO-ZR 6 L/S	BO-DR 6 L/S	BO-M 6 S
		8	BO-A 8 S	3.1	WAL374811	WAL603930	BO-ZR 8 L/S	BO-DR 8 L/S	BO-M 8 S
		10	BO-A 10 S	4.5	WAL374812	WAL603931	BO-ZR 10 L/S	BO-DR 10 L/S	BO-M 10 S
		12	BO-A 12 S	5.4	WAL374813	WAL603932	BO-ZR 12 L/S	BO-DR 12 L/S	BO-M 12 S
		14	BO-A 14 S	7.6	WAL374814	WAL603933	BO-ZR 14 S	BO-DR 14 S	BO-M 14 S/15 L
		16	BO-A 16 S	10.8	WAL374815	WAL603934	BO-ZR 16 S	BO-DR 16 S	BO-M 16 S
	400 (5801)	20	BO-A 20 S	15.5	WAL374816	WAL603935	BO-ZR 20 S	BO-DR 20 S	BO-M 20 S/22 L
		25	BO-A 25 S	26.7	WAL374817	WAL603936	BO-ZR 25 S	BO-DR 25 S	BO-M 25 S
		30	BO-A 30 S	33.0	WAL374818	WAL603937	BO-ZR 30 S	BO-DR 30 S	BO-M 30 S
		38	BO-A 38 S	51.5	WAL374819	WAL603938	BO-ZR 38 S	BO-DR 38 S	BO-M 38 S

⚠ Caution: The pressure specifications refer to the steel version. For the stainless steel version (1.4571), please refer to the pressure specifications on page B5.

*Flare connecting parts with O-rings made from Viton, see price list