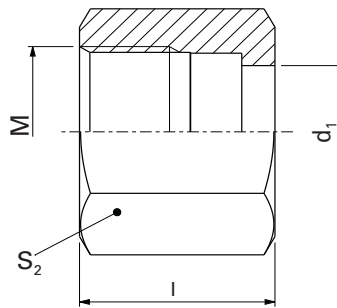


# Flare connecting parts for flare tube fittings

## BO-M ... BO-M ... 1.4571

- Union nut



D

Series	PN bar (psi)	Tube outer diameter d <sub>N</sub>	Model	kg/ 100 pc.	M	l	d <sub>1</sub>	S <sub>2</sub>	Union nut BO-M ...	Union nut stainless steel (1.4571) BO-M ... -1.4571
L	500 (7252)	6	<b>BO-M 6 L</b>	1.1	M 12 x 1.5	17	7.8	14	<b>WAL374510</b>	<b>WAL603901</b>
		8	<b>BO-M 8 L</b>	1.7	M 14 x 1.5	18	9.5	17	<b>WAL374511</b>	<b>WAL603902</b>
		10	<b>BO-M 10 L</b>	2.2	M 16 x 1.5	19.5	11.7	19	<b>WAL374512</b>	<b>WAL603903</b>
		12	<b>BO-M 12 L</b>	3.1	M 18 x 1.5	20.5	13.8	22	<b>WAL374513</b>	<b>WAL603904</b>
	400 (5801)	15	<b>BO-M 14 S/15 L</b>	5.3	M 22 x 1.5	23	17.7	27	<b>WAL374522</b>	<b>WAL603905</b>
		18	<b>BO-M 18 L</b>	7.4	M 26 x 1.5	23	21.2	32	<b>WAL374514</b>	<b>WAL603906</b>
	250 (3626)	22	<b>BO-M 20 S/22 L</b>	10.5	M 30 x 2	27.5	24.4	36	<b>WAL374524</b>	<b>WAL603907</b>
		28	<b>BO-M 28 L</b>	11.2	M 36 x 2	27.5	30.4	41	<b>WAL374515</b>	<b>WAL603908</b>
		35	<b>BO-M 35 L</b>	16.4	M 45 x 2	30	38.3	50	<b>WAL374516</b>	<b>WAL603909</b>
		42	<b>BO-M 42 L</b>	29.9	M 52 x 2	34	45.3	60	<b>WAL374517</b>	<b>WAL603910</b>
S	630 (9137)	6	<b>BO-M 6 S</b>	1.9	M 14 x 1.5	18	7.8	17	<b>WAL374518</b>	<b>WAL603911</b>
		8	<b>BO-M 8 S</b>	2.5	M 16 x 1.5	19	9.5	19	<b>WAL374519</b>	<b>WAL603912</b>
		10	<b>BO-M 10 S</b>	3.5	M 18 x 1.5	20.5	11.7	22	<b>WAL374520</b>	<b>WAL603913</b>
		12	<b>BO-M 12 S</b>	4.1	M 20 x 1.5	21	13.8	24	<b>WAL374521</b>	<b>WAL603914</b>
	400 (5801)	14	<b>BO-M 14 S/15 L</b>	5.3	M 22 x 1.5	23	17.7	27	<b>WAL374522</b>	<b>WAL603905</b>
		16	<b>BO-M 16 S</b>	8.0	M 24 x 1.5	26.5	18.7	30	<b>WAL374523</b>	<b>WAL603915</b>
	400 (5801)	20	<b>BO-M 20 S/22 L</b>	10.5	M 30 x 2	27.5	24.4	36	<b>WAL374524</b>	<b>WAL603907</b>
		25	<b>BO-M 25 S</b>	19.9	M 36 x 2	30.5	28.7	46	<b>WAL374525</b>	<b>WAL603916</b>
		30	<b>BO-M 30 S</b>	22.8	M 42 x 2	32	34.2	50	<b>WAL374526</b>	<b>WAL603917</b>
		38	<b>BO-M 38</b>	35.2	M 52 x 2	38	42.3	60	<b>WAL374527</b>	<b>WAL603918</b>

⚠ **Caution:** The pressure specifications refer to the steel version. For the stainless steel version (1.4571), please refer to the pressure specifications on page B5.