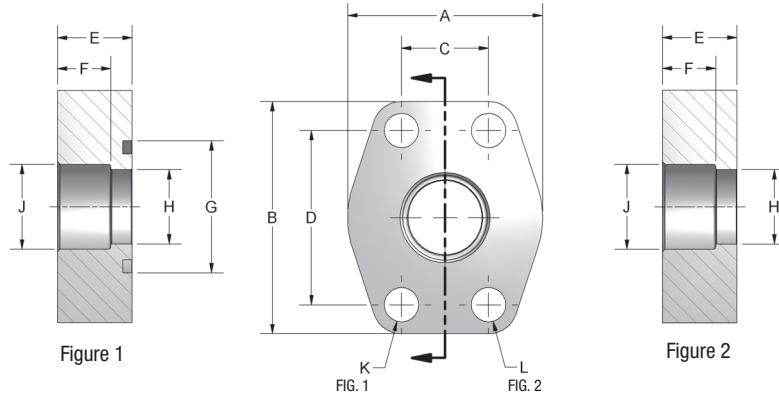


Flat Socket Weld Tube



CODE 61 FLAT SOCKET WELD - TUBE																
PART NO. O-RING FIG. 1	PART NO. FLAT FACE FIG. 2	TUBE SIZE	PAD SIZE	A	B	C	D	E	F	G	H	J	K	L	MOUNTING HARDWARE	
															O-RING	SHCS
W6-12-12	W62-12-12	.75	.75	2.060	2.560	.875	1.875	.750	.560	1.250	.625	.752	.406	3/8-16	214	3/8-16X1.50
W6-16-12	W62-16-12	1.00	.75	2.060	2.560	.875	1.875	.750	.560	1.250	.750	1.002	.406	3/8-16	214	3/8-16X1.50
W6-16-16	W62-16-16	1.00	1.00	2.310	2.750	1.031	2.062	.880	.630	1.560	.875	1.002	.406	3/8-16	219	3/8-16X1.75
W6-20-16	W62-20-16	1.25	1.00	2.310	2.750	1.031	2.062	.880	.630	1.560	1.000	1.252	.406	3/8-16	219	3/8-16X1.75
W6-20-20	W62-20-20	1.25	1.25	2.880	3.120	1.188	2.312	.940	.690	1.750	1.125	1.252	.469	7/16-14	222	7/16-14X1.75
W6-24-20	W62-24-20	1.50	1.25	2.880	3.120	1.188	2.312	.940	.690	1.750	1.250	1.502	.469	7/16-14	222	7/16-14X1.75
W6-24-24	W62-24-24	1.50	1.50	3.250	3.690	1.406	2.750	1.190	.750	2.115	1.375	1.502	.531	1/2-13	225	1/2-13X2.25
W6-28-24	W62-28-24	1.75	1.50	3.250	3.690	1.406	2.750	1.190	.750	2.115	1.500	1.752	.531	1/2-13	225	1/2-13X2.25
W6-32-32	W62-32-32	2.00	2.00	3.810	4.000	1.688	3.062	1.380	.875	2.490	1.875	2.002	.531	1/2-13	228	1/2-13X2.50
W6-36-32	W62-36-32	2.25	2.00	3.810	4.000	1.688	3.062	1.380	.875	2.490	2.000	2.252	.531	1/2-13	228	1/2-13X2.50

CODE 62 FLAT SOCKET WELD - TUBE																
PART NO. O-RING FIG. 1	PART NO. FLAT FACE FIG. 2	TUBE SIZE	PAD SIZE	A	B	C	D	E	F	G	H	J	K	L	MOUNTING HARDWARE	
															O-RING	SHCS
W58-12-12	W63-12-12	.75	.75	2.50	2.95	.937	2.000	1.250	.560	1.250	.625	.752	.406	3/8-16	214	3/8-16X2.00
W58-16-12	W63-16-12	1.00	.75	2.50	2.95	.937	2.000	1.250	.560	1.250	.750	1.002	.406	3/8-16	214	3/8-16X2.00
W58-16-16	W63-16-16	1.00	1.00	2.75	3.19	1.093	2.250	1.500	.630	1.560	.875	1.002	.492	7/16-14	219	7/16-14X2.50
W58-20-16	W63-20-16	1.25	1.00	2.75	3.19	1.093	2.250	1.500	.630	1.560	1.000	1.252	.492	7/16-14	219	7/16-14X2.50
W58-20-20	W63-20-20	1.25	1.25	3.06	3.75	1.250	2.625	1.500	.690	1.750	1.125	1.252	.531	1/2-13	222	1/2-13X2.50
W58-24-20	W63-24-20	1.50	1.25	3.06	3.75	1.250	2.625	1.500	.690	1.750	1.250	1.502	.531	1/2-13	222	1/2-13X2.50
W58-24-24	W63-24-24	1.50	1.50	3.75	4.44	1.437	3.125	1.750	.750	2.115	1.375	1.502	.656	5/8-11	225	5/8-11X3.00
W58-28-24	W63-28-24	1.75	1.50	3.75	4.44	1.437	3.125	1.750	.750	2.115	1.500	1.752	.656	5/8-11	225	5/8-11X3.00
W58-32-32	W63-32-32	2.00	2.00	4.50	5.25	1.750	3.812	1.750	.875	2.490	1.875	2.002	.781	3/4-10	228	3/4-10X3.00
W58-36-32	W63-36-32	2.25	2.00	4.50	5.25	1.750	3.812	1.750	.875	2.490	2.000	2.252	.781	3/4-10	228	3/4-10X3.00

Mounting kit available on o-ring grooved flanges by simply adding suffix letter 'U' to part number.

