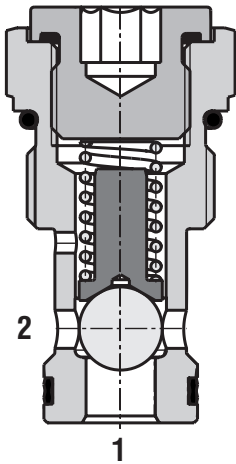


Check Valve, Ball Type

SC1F-C2

1-1/16-12 UN • Q_{max} 150 l/min (40 GPM) • p_{max} 350 bar (5100 PSI)

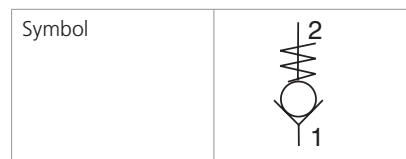


Technical Features

- › Hardened precision parts
- › Sharp-edged steel seats for dirt-tolerant performance
- › Leak-free closing, suitable for fast cycling with long life
- › High flow capacity
- › Optional bias spring ranges for back-pressure control
- › In the standard version, the valve is zinc-coated for 520 h protection acc. to ISO 9227

Functional Description

A hydraulic check valve in the form of a screw-in cartridge for use as a blocking or load-holding device. The cartridge has a ball check which is closed by spring until sufficient pressure is applied at port 1 to open flow to port 2.



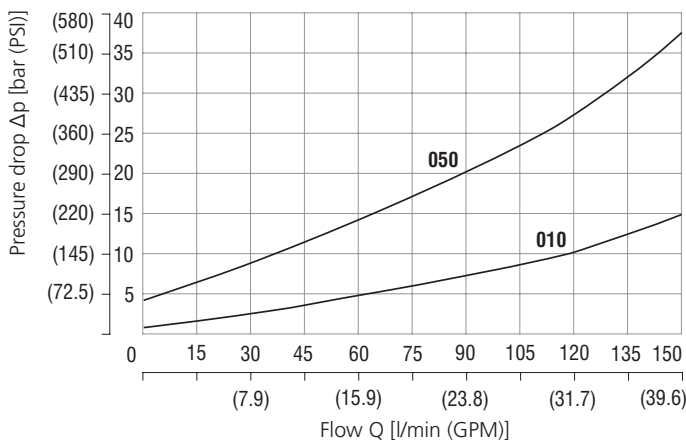
Technical Data

Valve size / Cartridge cavity		1-1/16-12 UN / C2 (VC12-2)	
Max. flow	l/min (GPM)	150 (39.6)	
Max. operating pressure	bar (PSI)	350 (5080)	
Cracking pressure	bar (PSI)	1 (14.5)	5 (72.5)
Fluid temperature range (NBR)	°C (°F)	-30 +100 (-22 ... +212)	
Fluid temperature range (FPM)	°C (°F)	-20 +120 (-4 ... +248)	
Weight	kg (lbs)	0.182 (0.40)	

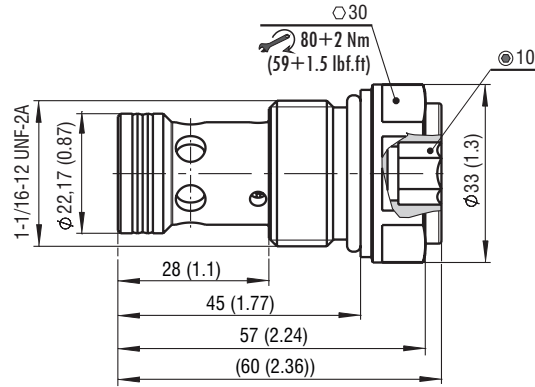
	Datasheet	Type
General information	GI_0060	Products and operating conditions
Valve bodies In-line mounted	SB_0018	SB-C2*
Cavity details / Form tools	SMT_0019	SMT-C2*
Spare parts	SP_8010	

Characteristics measured at $v = 32 \text{ mm}^2/\text{s}$ (156 SUS)

Pressure drop related to flow rate



Dimensions in millimeters (inches)



Ordering Code

