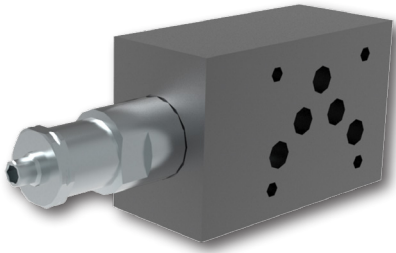


VPN2-10/M(R)

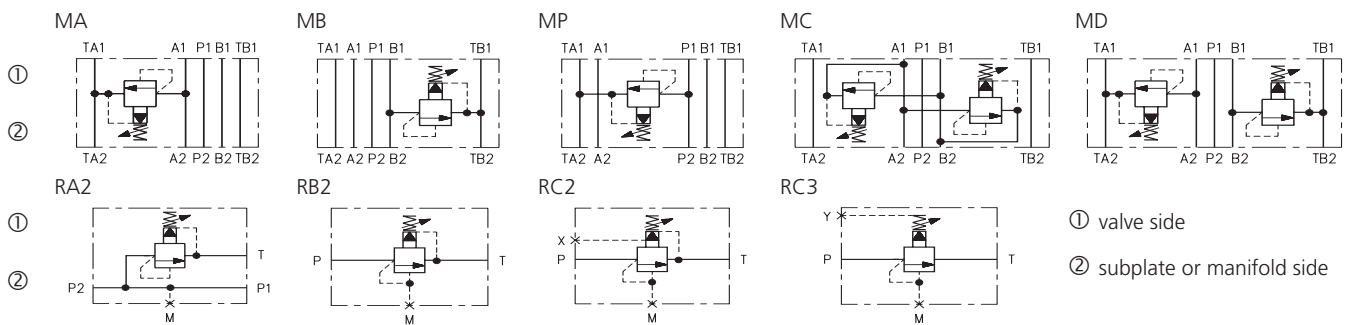
Size 10 (D05) • Q_{max} 150 l/min (40 GPM) • p_{max} 350 bar (5100 PSI)



Technical Features

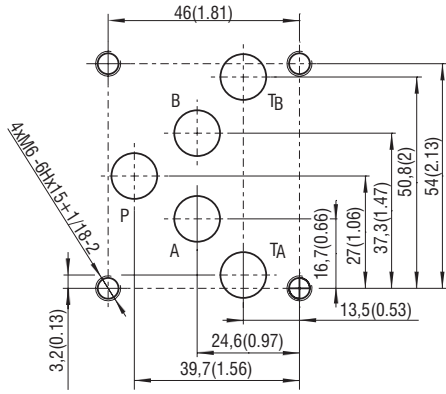
- › Pressure relief valve, spool type, pilot operated, with mounting interface acc. to ISO 4401, DIN 24340 (CETOP 05) or in-line design
- › Low hysteresis, accurate pressure control and low pressure drop
- › Wide pressure range up to 350 bar
- › High flow capacity
- › Hardened precision parts
- › Ideal for use as control valve where accuracy and repeatability is required
- › Adjustable by allen key or hand screw, optionally sealable (lockwire holes)
- › In the standard version, the valve housing is phosphated for basic surface corrosion protection and as preparation for painting. Steel parts are zinc-coated for 240 h salt spray protection acc. to ISO 9227
- › Enhanced surface protection for mobile sector available for the valve housing and steel parts (ISO 9227, 520 h salt spray)

Functional Symbols



Notice: The orientation of the symbol on the name plate corresponds with the valve function.

ISO 4401-05-04-0-05



Ports P, A, B, T - max. Ø11.2 mm (0.44 in)

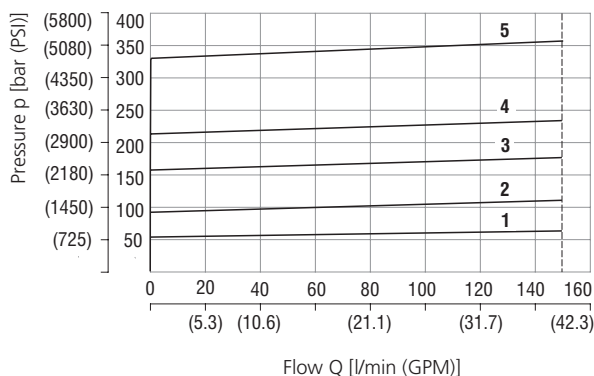
Technical Data

Valve size	10 (D05)	
Max. flow	l/min (GPM)	150 (40)
Max. operating pressure	bar (PSI)	350 (5080)
Fluid temperature range (NBR)	°C (°F)	-30 ... +100 (-22 ... 212)
Fluid temperature range (FPM)	°C (°F)	-20 ... +120 (-4 ... 248)
Weight - models MA (B, P) 10	kg (lbs)	2,15 (4.74)
- models MC (D) 10		3,0 (6.61)
- models RA2, RB2, RC2 (3)		2,7 (5.95)

	Datasheet	Type
General information	GI_0060	Products and operating conditions
Mounting interface	SMT_0019	Size 10
Spare parts	SP_8010	

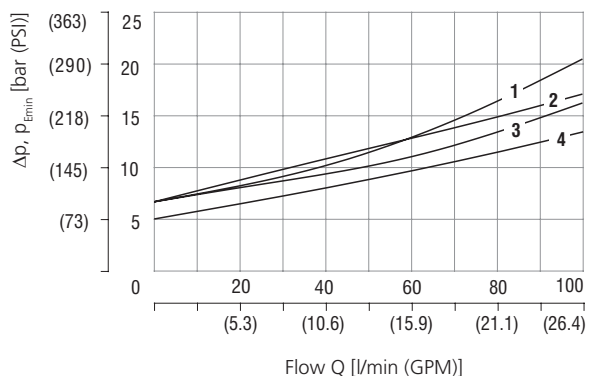
Characteristics measured at $v = 32 \text{ mm}^2/\text{s}$ (156 SUS)

Relief pressure related to flow rate



Pressure range	6	10	16	21	32
	1	2	3	4	5

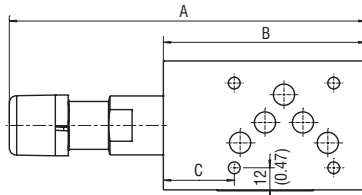
Minimum set and circulation pressure



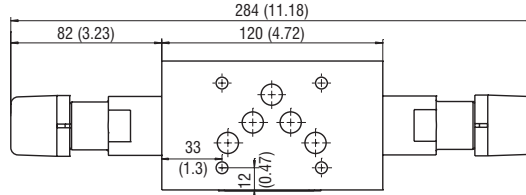
Models	MC	MP	MA, MB	RA, RB, RC
	1	2	3	4

Dimensions in millimeters (inches)

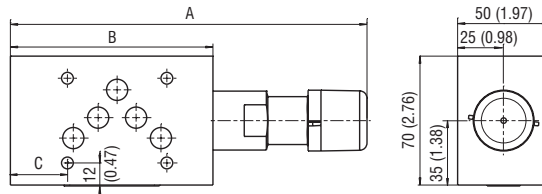
Model MA, MP



Model MC, MD

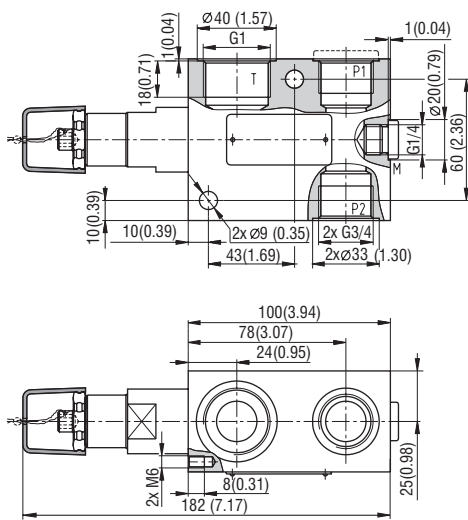


Model MB

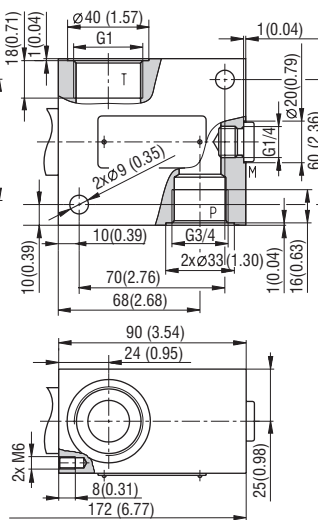


Size 10	A	B	C
MA	187 (7.36)	105 (4.13)	33 (1.30)
MB			38.5 (1.52)
MP	192 (7.56)	110 (4.33)	18 (0.71)

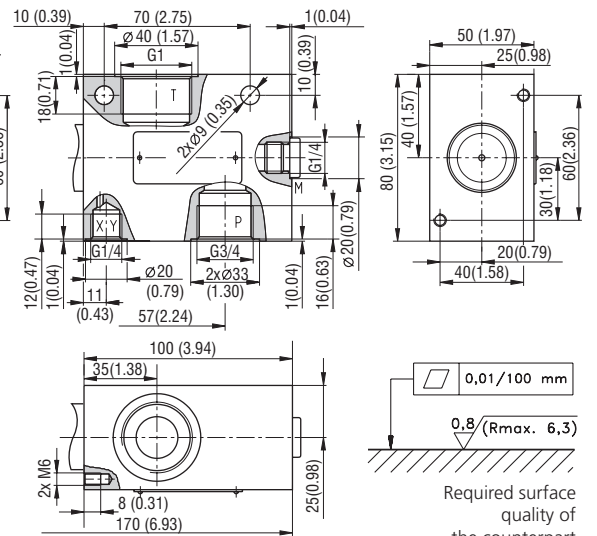
Model RA2



Model RB2



Model RC2, RC3



Ordering Code

VPN2-10 / [] - [] - [] - [] - []

Pressure relief valve, spool type, pilot operated, modular

Model

- modular, valve from A to TA **MA**
- modular, valve from B to TB **MB**
- modular, valve from P to TA **MP**
- modular, valve from A to B and B to A **MC**
- modular, valve from A to TA and B to TB **MD**
- in-line valve, three ports, thread P1, P2-G3/4, T-G1 **RA2**
- in-line valve, two ports, thread P-G3/4, T-G1 **RB2**
- in-line valve, two ports, thread P-G3/4, T-G1, X-G1/4 **RC2**
- in-line valve, two ports, thread P-G3/4, T-G1, Y-G1/4 **RC3**

Modular plate size

ISO 4401-05-04-0-05, DIN 24340 (CETOP 05), size 10 **10**

Surface treatment
No designation standard
A zinc-coated (ZnCr-3), ISO 9227 (240 h)
B zinc-coated (ZnNi), ISO 9227 (520 h)

Seals
No designation NBR
V FPM (Viton)

Adjustment option*
S allen key (hex. 6), without protective cap
T allen key (hex. 6), with protective cap
RS hand screw, metal
RP hand screw, plastic
L allen key (hex. 6), with protective cap, sealable (lockwire holes)

Model with two pressure relief cartridges
S/RS A side, allen key (hex. 6), without protective cap
B side, hand screw, metal

*for dimensions of adjustment options see datasheet No.5163

Pressure range
6 up to 63 bar (910 PSI)
10 up to 100 bar (1450 PSI)
16 up to 160 bar (2320 PSI)
21 up to 210 bar (3050 PSI)
32 up to 320 bar (4600 PSI)

Model with two pressure relief cartridges
32/10 320 bar (4600 PSI) in port A, 100 bar (1450 PSI) in port B