

Technical Features

- › Excellent stability throughout flow range with rapid response to dynamic pressure changes
- › Low hysteresis, accurate pressure control and low pressure drop
- › Wide pressure range up to 320 bar
- › Hardened precision parts
- › Sharp-edged steel seats for dirt-tolerant performance
- › Leak-free closing, suitable for fast cycling with long life
- › Adjustable by allen key or hand screw
- › In the standard version, the valve is zinc-coated for 240 h protection acc. to ISO 9227. Enhanced surface protection for mobile sector available for the steel parts (ISO 9227, 520 h salt spray)

Functional Description

A poppet type, direct acting hydraulic relief valve in the form of a screw-in cartridge intended for use as a pressure limiting device for common hydraulic circuit protection. The spring acts on the poppet and presses it onto the valve seat. If the hydraulic pressure is below the pre-set value, the valve is closed. If the hydraulic force exceeds the pre-set value the valve opens and flow passes to the tank port until the system pressure falls below the spring pre-set value and the valve closes again.



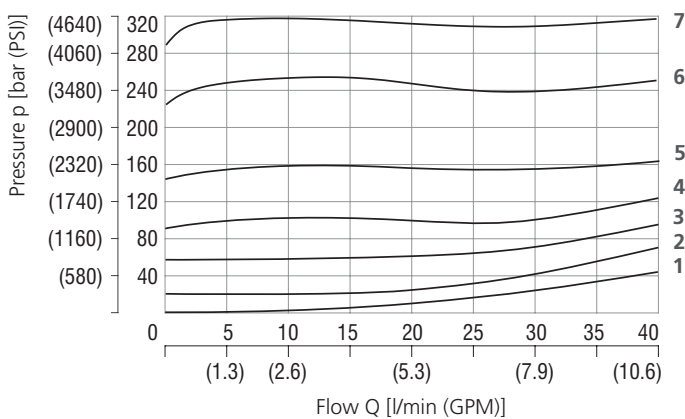
Technical Data

Valve size / Cartridge cavity		M22x1.5 / QG2
Max. flow	l/min (GPM)	40 (10.6)
Max. operating pressure	bar (PSI)	320 (4640)
Fluid temperature range (NBR)	°C (°F)	-30 ... +100 (-22 ... 212)
Fluid temperature range (FPM)	°C (°F)	-20 ... +120 (-4 ... 248)
Weight	kg (lbs)	0.17 (0.37)

		Datasheet	Type
General information		GI_0060	Products and operating conditions
Valve bodies	In-line mounted	SB_0018	SB-QG2*
	Sandwich mounted	SB-04(06)_0028	SB-*QG2*
Cavity details		SMT_0019	SMT-QG2*
Spare parts		SP_8010	SMT-B2*

Characteristics measured at $v = 32 \text{ mm}^2/\text{s}$ (156 SUS)

Relief pressure related to flow rate



	Pressure range
7	32
6	25
5	16
4	10
3	6
2	2
1	Min. pressure setting

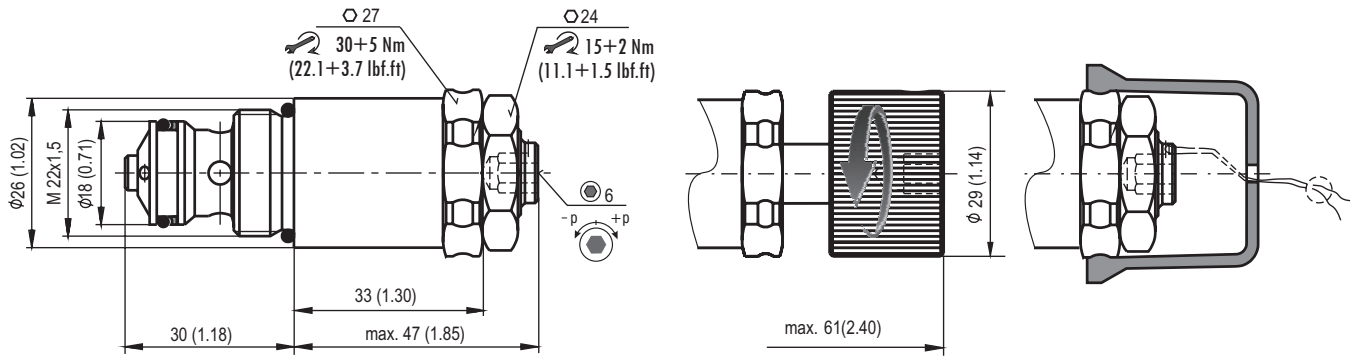
Dimensions in millimeters (inches)

Model S

Model T

Model RS

Model L



Ordering Code

VPP2-04 / S

Pressure relief valve, poppet type,
direct acting M22x1.5

Model screw-in cartridge S

Pressure range	
up to 25 bar (360 PSI)	2
up to 63 bar (910 PSI)	6
up to 100 bar (1450 PSI)	10
up to 160 bar (2320 PSI)	16
up to 250 bar (3630 PSI)	25
up to 320 bar (4600 PSI)	32

Surface treatment
A zinc-coated (ZnCr-3), ISO 9227 (240 h)
B zinc-coated (ZnNi), ISO 9227 (520 h)

Seals
NBR
V FPM (Viton)

Adjustment option
S allen key (hex. 6), without protective cap
RS hand screw, metal
L allen key (hex. 6), with protective cap, sealable (lockwire holes)