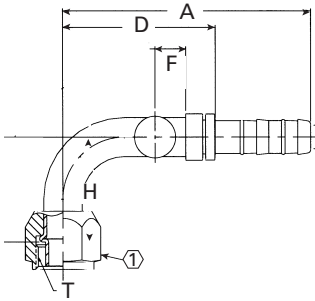


EZ Clip system: GH001 Fittings

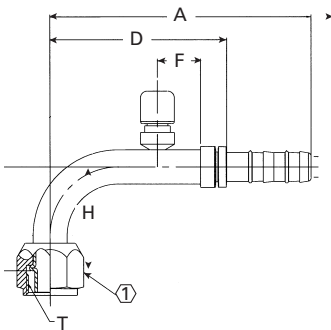
FJ3444



90° female O-Ring (long pilot) with charge port (7/16-20 thd) – 90° port rotation

| PART NUMBER | TH'D "T" | HOSE SIZE | A REF | D REF | F REF | H REF | ① REF |
|--------------|----------|-----------|-------|-------|-------|-------|-------|
| FJ3444-1010S | 7/8-14 | 10 | 4.03 | 2.48 | .50 | 1.69 | 1.06 |

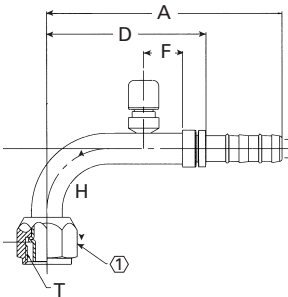
FJ3460



90° female O-Ring (long pilot) with switch port (M12 X 1.5)

| PART NUMBER | TH'D "T" | HOSE SIZE | A REF | D REF | F REF | H REF | ① REF |
|-----------------|-----------|-----------|-------|-------|-------|-------|-------|
| FJ3460-01-1010S | 7/8-14 | 10 | 4.80 | 3.25 | 0.79 | 1.89 | 1.06 |
| FJ3460-02-1012S | 7/8-14 | 12 | 4.83 | 3.25 | 0.79 | 1.89 | 1.06 |
| FJ3460-03-1212S | 1-1/16-14 | 12 | 5.08 | 3.50 | .54 | 2.56 | 1.25 |

EJ3297

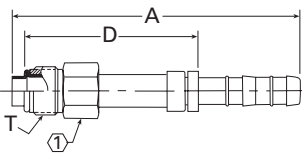


90° female O-Ring (short pilot) with switch port (M10 X 1.25)

| PART NUMBER | TH'D "T" | HOSE SIZE | A REF | D REF | F REF | H REF | ① REF |
|------------------|----------|-----------|-------|-------|-------|-------|-------|
| EJ3297-01-0808S* | 3/4-16 | 8 | 4.16 | 2.62 | 0.87 | 1.68 | 0.88 |

*Made to order

FJ3052



Straight male O-Ring (short pilot)

| PART NUMBER | TH'D "T" | HOSE SIZE | A REF | D REF | F REF | H REF | ① REF |
|--------------|-----------|-----------|-------|-------|-------|-------|-------|
| FJ3052-0606S | 5/8-18 | 6 | 3.41 | 1.70 | — | — | 0.62 |
| FJ3052-0608S | 5/8-18 | 8 | 3.43 | 1.70 | — | — | 0.62 |
| FJ3052-0808S | 3/4-18 | 8 | 4.37 | 2.64 | — | — | 0.75 |
| FJ3052-0810S | 3/4-18 | 10 | 4.38 | 2.64 | — | — | 0.75 |
| FJ3052-1010S | 7/8-18 | 10 | 3.66 | 1.92 | — | — | 0.88 |
| FJ3052-1012S | 7/8-18 | 12 | 3.68 | 1.92 | — | — | 0.88 |
| FJ3052-1212S | 1-1/16-16 | 12 | 3.68 | 1.92 | — | — | 1.06 |
| FJ3052-1016S | 7/8-18 | 16 | 4.33 | 2.47 | — | — | 0.88 |
| FJ3052-1216S | 1-1/16-16 | 16 | 4.28 | 2.42 | — | — | 1.06 |