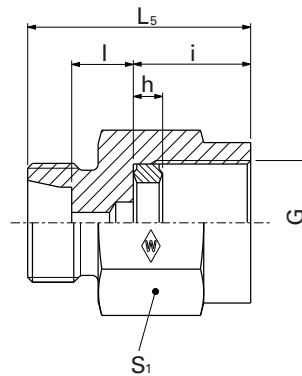


MAS ... R

MAS ... R-1.4571



H

System nuts for supplementing the stud
(for technical data, see part D of this catalog)

Stud
Stainless steel
(1.4571)
MAS ... R-1.4571*

WALRING
W-R ... VI

WALFORM
WF-M ... VI

WALFORM
stainless
steel WF-M
... VI-1.4571*

Series	PN bar (psi)	Tube outer diameter	DIN-ISO 228 (R... DIN 259) G	Model	kg/ 100 pc.	Art. no.	Art. no.	Art. no.	Art. no.	Art. no.
L	500 (7252)	6	G 1/4	MAS 6 LR	3.8	WAL066939	WAL067383	WAL624607	WAL625940	WAL625980
		8	G 1/4	MAS 8 LR	3.6	WAL066940	WAL067387	WAL624608	WAL625941	WAL625981
	400 (5801)	10	G 1/4	MAS 10 LR	4.0	WAL067370	WAL067372	WAL624609	WAL625942	WAL625982
		12	G 1/4	MAS 12 LR	6.3	WAL066941	WAL067378	WAL624610	WAL625943	WAL625983
S	800 (11603)	6	G 1/2	MAS 6 SR	9.4	WAL066942	WAL067385	WAL624617	WAL625950	WAL625990
		8	G 1/2	MAS 8 SR	9.0	WAL066943	WAL067389	WAL624618	WAL625951	WAL625991
	630 (9137)	10	G 1/2	MAS 10 SR	9.0	WAL066944	WAL067374	WAL624619	WAL625952	WAL625992
		12	G 1/2	MAS 12 SR	9.5	WAL066945	WAL067380	WAL624620	WAL625953	WAL625993

△ Caution: The pressure specifications refer to the steel version. For the stainless steel version (1.4571), please refer to the pressure specifications on page B5.