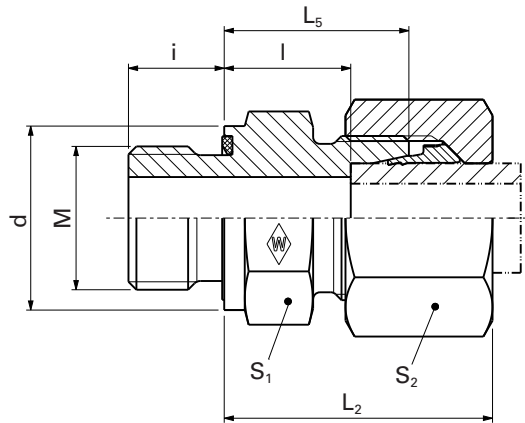


# Straight male fittings

## P-GEV ... M-WD

### P-GEV ... M-WD-1.4571

- With soft seal made from NBR\*\* (e.g. Perbunan) for steel
- With soft seal made from FKM (e.g. Viton) for stainless steel (1.4571)
- Metric stud type E to DIN EN ISO 9974-2



E

Series	PN bar (psi)	Tube outer diameter	Model	M	kg/100 pc.	L <sub>2</sub>	L <sub>5</sub>	L	i	d	S <sub>1</sub>	S <sub>2</sub>	WALPRO P-GEV ... Art. no.	WALPRO stainless steel P-GEV ...-1.4571* Art. no.
L	500 (7252)	6	P-GEV 6 LM-WD	M 10 x 1	2.5	23	15.5	8.5	8	13.9	14	14	WAL373136	WAL620601
		8	P-GEV 8 LM-WD	M 12 x 1.5	4.0	25	17	10	12	16.9	17	17	WAL373137	WAL620805
		10	P-GEV 10 LM-WD	M 14 x 1.5	4.7	26	18	11	12	18.9	19	19	WAL373138	WAL620451
		10	P-GEV 10 L/M 18 x 1.5-WD	M 18 x 1.5	7.6	27	19.5	12.5	12	23.9	24	19	WAL605930	WAL623067
		10	P-GEV 10 L/M 22 x 1.5-WD	M 22 x 1.5	8.3	27.5	20	13	14	26.9	27	19	WAL605931	WAL623069
	400 (5801)	12	P-GEV 12 LM-WD	M 16 x 1.5	6.3	27	19.5	12.5	12	21.9	22	22	WAL373139	WAL620591
		12	P-GEV 12 L/M 18 x 1.5-WD	M 18 x 1.5	7.8	27	17	12.5	12	23.9	24	22	WAL602562	WAL623071
		12	P-GEV 12 L/M 22 x 1.5-WD	M 22 x 1.5	9.5	27.5	20	13	14	26.9	27	22	WAL602563	WAL620817
		15	P-GEV 15 LM-WD	M 18 x 1.5	9.5	29	20.5	13.5	12	23.9	24	27	WAL373140	WAL620622
		15	P-GEV 15 L/M 22 x 1.5-WD	M 22 x 1.5	11.5	29	21	14	14	26.9	27	27	WAL602564	WAL620820
250 (3626)	18	P-GEV 18 LM-WD	M 22 x 1.5	12.2	30	22	14	14	26.9	27	32	WAL373141	WAL620608	
	18	P-GEV 18 L/M 18 x 1.5-WD	M 18 x 1.5	12.9	31	21.5	14.5	12	23.9	27	32	WAL605934	WAL621515	
	22	P-GEV 22 LM-WD	M 26 x 1.5	17.6	33	24	16.5	16	31.9	32	36	WAL373142	WAL620996	
	28	P-GEV 28 LM-WD	M 33 x 2	24.7	34	25	17.5	18	39.9	41	41	WAL373143	WAL620891	
	35	P-GEV 35 LM-WD	M 42 x 2	40.7	39	28	17.5	20	49.9	50	50	WAL373144	WAL620892	
	42	P-GEV 42 LM-WD	M 48 x 2	45.6	42	30	19	22	54.9	55	60	WAL373145	WAL620796	
S	800 (11603)	6	P-GEV 6 SM-WD	M 12 x 1.5	4.5	28	20	13	12	16.9	17	17	WAL373146	WAL620564
		8	P-GEV 8 SM-WD	M 14 x 1.5	5.5	30	22	15	12	18.9	19	19	WAL373147	WAL620565
		10	P-GEV 10 SM-WD	M 16 x 1.5	8.2	31	22.5	15	12	21.9	22	22	WAL373148	WAL620621
	630 (9137)	12	P-GEV 12 SM-WD	M 18 x 1.5	10.5	33	24.5	17	12	23.9	24	24	WAL373149	WAL620559
		14	P-GEV 14 SM-WD	M 20 x 1.5	14.8	37	27	19	14	25.9	27	27	WAL373150	WAL621511
	420 (6091)	16	P-GEV 16 SM-WD	M 22 x 1.5	15.4	37	27	18.5	14	26.9	27	30	WAL373151	WAL620566
		20	P-GEV 20 SM-WD	M 27 x 2	25.3	42	31	20.5	16	31.9	32	36	WAL373152	WAL620623
		25	P-GEV 25 SM-WD	M 33 x 2	46.5	47	35	23	18	39.9	41	46	WAL373153	WAL620642
		30	P-GEV 30 SM-WD	M 42 x 2	64.4	50	37	23.5	20	49.9	50	50	WAL373154	WAL620997
		38	P-GEV 38 SM-WD	M 48 x 2	88.9	57	42	26	22	54.9	55	60	WAL373155	WAL620734

**⚠ Caution:** The pressure specifications refer to the steel version. For the stainless steel version (1.4571), please refer to the pressure specifications on page B5.  
 \*Complete stainless steel fittings (1.4571) with silver-plated nut (AG/AGP), see price list  
 L<sub>2</sub>= approximate dimension if the union nut is tightened  
 \*\*FPM (e.g. Viton) see price list / available on request

Special parts are available on request.