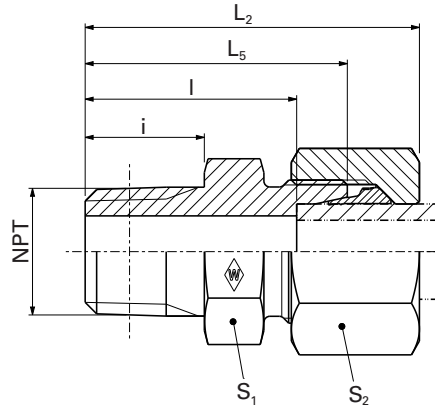


# Straight male fittings

## P-GEV ... NPT

### P-GEV ... NPT-1.4571

- Stud with NPT thread to ANSI/ASME B1.20.1-1983



E

Series	PN bar (psi)	Tube outer diameter	Model	kg/100 pc.	NPT	L <sub>2</sub>	L <sub>5</sub>	L	i	S <sub>1</sub>	S <sub>2</sub>	WALPRO	WALPRO	
												P-GEV ...	stainless steel P-GEV ...-1.4571*	
													Art. no.	Art. no.
LL	100 (1450)	4	S-GEV 4 LL/1/8 NPT	1.5	1/8 NPT	28	22	18	10	11	10	WAL038241	WAL616310	
		6	S-GEV 6 LL/1/8 NPT	1.5	1/8 NPT	28	22	16.5	10	11	12	WAL038243	WAL602723	
		8	S-GEV 8 LL/1/8 NPT	2.0	1/8 NPT	30	24	18.5	10	12	14	WAL038244	WAL371302	
L	315 (4569)	6	P-GEV 6 L/1/8 NPT	2.6	1/8 NPT	32	24	17	10	12	14	WAL373026	WAL620123	
		6	P-GEV 6 L/1/4 NPT	3.9	1/4 NPT	38	30	23	15	17	14	WAL373027	WAL620124	
		8	P-GEV 8 L/1/4 NPT	4.0	1/4 NPT	38	30	23	15	17	17	WAL373028	WAL620128	
		10	P-GEV 10 L/1/4 NPT	4.8	1/4 NPT	39	31	24	15	17	19	WAL373029	WAL620147	
		10	P-GEV 10 L/3/8 NPT	6.0	3/8 NPT	40	32	25	15	19	19	WAL373030	WAL620213	
		12	P-GEV 12 L/1/4 NPT	6.0	1/4 NPT	40	32	25	15	19	22	WAL373031	WAL620203	
		12	P-GEV 12 L/3/8 NPT	6.5	3/8 NPT	40	32	25	15	19	22	WAL373032	WAL620210	
		12	P-GEV 12 L/1/2 NPT	8.5	1/2 NPT	45	37	30	20	24	22	WAL373033	WAL620157	
		15	P-GEV 15 L/1/2 NPT	11.0	1/2 NPT	46	38	31	20	24	27	WAL373034	WAL620211	
		18	P-GEV 18 L/1/2 NPT	13.5	1/2 NPT	48	39	31.5	20	27	32	WAL373035	WAL620161	
		22	P-GEV 22 L/3/4 NPT	19.0	3/4 NPT	50	41	33.5	20	32	36	WAL373036	WAL620260	
		S	160 (2321)	28	P-GEV 28 L/1 NPT	27.5	1 NPT	56	47	39.5	25	41	41	WAL373037
35	P-GEV 35 L/1 1/4 NPT			40.5	1 1/4 NPT	62	51	40.5	26	46	50	WAL373038	WAL620262	
42	P-GEV 42 L/1 1/2 NPT			57.0	1 1/2 NPT	65	53	42	26	55	60	WAL373039	WAL620422	
S	630 (9137)	6	P-GEV 6 S/1/4 NPT	5.0	1/4 NPT	43	35	28	15	17	17	WAL373040	WAL620189	
		8	P-GEV 8 S/1/4 NPT	5.5	1/4 NPT	43	35	28	15	17	19	WAL373041	WAL620523	
		10	P-GEV 10 S/1/4 NPT	8.5	1/4 NPT	44	35	27.5	15	19	22	WAL373042	WAL620659	
		10	P-GEV 10 S/3/8 NPT	8.0	3/8 NPT	44	35	27.5	15	19	22	WAL373043	WAL620370	
		12	P-GEV 12 S/1/4 NPT	9.5	1/4 NPT	46	37	29.5	15	22	24	WAL373044	WAL620660	
		12	P-GEV 12 S/3/8 NPT	10.0	3/8 NPT	46	37	29.5	15	22	24	WAL373045	WAL620491	
		12	P-GEV 12 S/1/2 NPT	12.5	1/2 NPT	51	42	34.5	20	24	24	WAL373046	WAL620294	
		14	P-GEV 14 S/1/2 NPT	15.5	1/2 NPT	54	44	36	20	24	27	WAL373047	WAL621499	
		16	P-GEV 16 S/1/2 NPT	16.0	1/2 NPT	54	44	35.5	20	27	30	WAL373048	WAL620214	
		20	P-GEV 20 S/3/4 NPT	25.0	3/4 NPT	59	48	37.5	20	32	36	WAL373049	WAL620212	
		25	P-GEV 25 S/1 NPT	47.5	1 NPT	69	57	45	25	41	46	WAL373050	WAL620482	
		30	P-GEV 30 S/1 1/4 NPT	62.0	1 1/4 NPT	73	60	46.5	26	46	50	WAL373051	WAL620497	
315 (4569)	38	P-GEV 38 S/1 1/2 NPT	89.0	1 1/2 NPT	80	65	49	26	55	60	WAL373052	WAL620948		

**⚠ Caution:** The pressure specifications refer to the steel version. For the stainless steel version (1.4571), please refer to the pressure specifications on page B5.  
 \*Complete stainless steel fittings (1.4571) with silver-plated nut (AG/AGP), see price list  
 L<sub>2</sub>= approximate dimension if the union nut is tightened

Special parts are available on request.