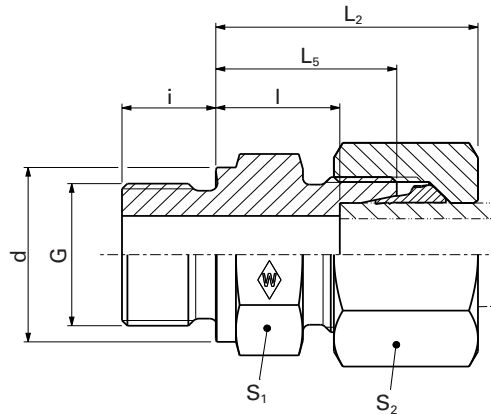


Straight male fittings

P-GEV ... R

P-GEV ... R-1.4571

- Inch studs type B to DIN EN ISO 1179-4



L₅

WALPRO stainless steel
P-GEV ...-
1.4571*

WALPRO
P-GEV ...

Series	PN bar (psi)	Tube outer diameter	Model	kg/100 pc.	DIN-ISO 228 (R ..., DIN 259) G	L ₂	L ₅	I	i	d	S ₁	S ₂	Art. no.	Art. no.	
S	630 (9137)	6	P-GEV 6 SR	5	G 1/4 A	20	28	13	12	18	19	17	WAL373073	WAL620014	
		8	P-GEV 8 SR	5.5	G 1/4 A	22	30	15	12	18	19	19	WAL373074	WAL620015	
		8	P-GEV 8 SR 3/8	8.0	G 3/8 A	22.5	30.5	15.5	12	22	22	19	WAL374849	WAL620811	
		10	P-GEV 10 SR	8.2	G 3/8 A	22.5	31	15	12	22	22	22	WAL373075	WAL620016	
		10	P-GEV 10 SR 1/4	7.5	G 1/4 A	22	30.5	14.5	12	18	19	22	WAL602938	WAL620295	
		10	P-GEV 10 SR 1/2	13.0	G 1/2 A	25	33.5	17.5	14	26	27	22	WAL374850	WAL620224	
		12	P-GEV 12 SR	9.5	G 3/8 A	24	33	17	12	22	22	24	WAL373076	WAL620017	
		12	P-GEV 12 SR 1/4	9.5	G 1/4 A	24	32.5	16.5	12	18	22	24	WAL602939	WAL620353	
		12	P-GEV 12 S/R 1/2	13.5	G 1/2 A	25	34	17.5	14	26	27	24	WAL373077	WAL620120	
		14	P-GEV 14 SR	14.8	G 1/2 A	27	37	19	14	26	27	27	WAL373078	WAL621512	
		16	P-GEV 16 SR	15.4	G 1/2 A	27	37	18.5	14	26	27	30	WAL373079	WAL620018	
		16	P-GEV 16 SR 3/8	16.0	G 3/8 A	26.5	36.5	18	12	22	27	30	WAL374852	WAL620352	
		16	P-GEV 16 SR 3/4	23.0	G 3/4 A	29	40	21.5	16	32	32	30	WAL604264	WAL620789	
		400 (5801)	20	P-GEV 20 SR	25.3	G 3/4 A	31	42	20.5	16	32	32	36	WAL373080	WAL620019
			20	P-GEV 20 S/R 1/2	24.5	G 1/2 A	31	40	18.5	14	26	32	36	WAL602651	WAL620202
			25	P-GEV 25 SR	46.5	G 1 A	35	47	23	18	39	41	46	WAL373081	WAL620020
250 (3626)	25	P-GEV 25 S/R 3/4	45.5	G 3/4 A	35	47	23	16	32	41	46	WAL374854	WAL620606		
	30	P-GEV 30 SR	64.4	G 1 1/4 A	37	50	23.5	20	49	50	50	WAL373082	WAL620021		
	38	P-GEV 38 SR	88.9	G 1 1/2 A	42	57	26	22	55	55	60	WAL373083	WAL620022		
		38	P-GEV 38 S/R 1 1/4	89.6	G 1 1/4 A	42	57	26	20	49	55	60	WAL603977	WAL620630	

⚠ Caution: The pressure specifications refer to the steel version. For the stainless steel version (1.4571), please refer to the pressure specifications on page B5.

*Complete stainless steel fittings (1.4571) with silver-plated nut (AG/AGP), see price list

L₂= approximate dimension if the union nut is tightened

Special parts are available on request.