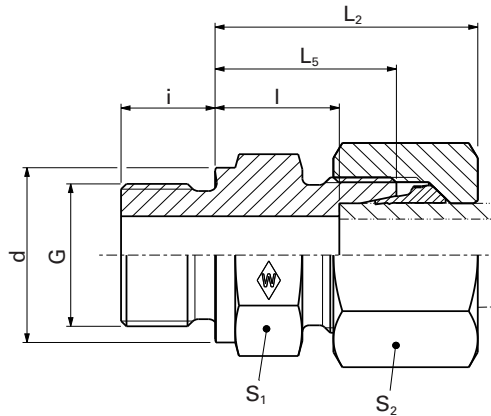


Straight male fittings

P-GEV ... R

P-GEV ... R-1.4571

- Inch studs type B to DIN EN ISO 1179-4



E

WALPRO
stainless
steel
P-GEV ...-
1.4571*

WALPRO
P-GEV ...

Series	PN bar (psi)	Tube outer diameter	Model	kg/ 100 pc.	DIN-ISO 228 (R ..., DIN 259) G	L ₂	L ₅	I	i	d	S ₁	S ₂	Art. no.	Art. no.
LL	100 (1450)	4	S-GEV 4 LLR	1.8	G 1/8 A	19	13.5	9.5	8	14	14	10	WAL038272	WAL604717
		6	S-GEV 6 LLR	1.9	G 1/8 A	19.5	13.5	8	8	14	14	12	WAL038274	WAL061402
		8	S-GEV 8 LLR	2.3	G 1/8 A	20.5	14.5	9	8	14	14	14	WAL038275	WAL068993
L	400 (5801)	6	P-GEV 6 LR	2.5	G 1/8 A	23	15.5	8.5	14	14	14	14	WAL373056	WAL620004
		6	P-GEV 6 L/R 1/4	4.1	G 1/4 A	24.5	17	10	12	18	19	14	WAL373057	WAL620140
		6	P-GEV 6 L/R 3/8	6.0	G 3/8 A	26	18.5	11.5	12	22	22	14	WAL602638	WAL620269
		8	P-GEV 8 LR	4.5	G 1/4 A	25	17	10	12	18	19	17	WAL373058	WAL620005
		8	P-GEV 8 L/R 1/8	3.3	G 1/8 A	24	16.5	9.5	8	14	14	17	WAL604871	WAL620633
		8	P-GEV 8 L/R 3/8	6.0	G 3/8 A	26	18.5	11.5	12	22	22	17	WAL373059	WAL620174
		8	P-GEV 8 L/R 1/2	7.1	G 1/2 A	16.5	19	12	14	26	27	17	WAL374844	WAL620312
		10	P-GEV 10 L/R	4.7	G 1/4 A	26	18	11	12	18	19	19	WAL373060	WAL620006
		10	P-GEV 10 L/R 3/8	6.0	G 3/8 A	27	19.5	12.5	12	22	22	19	WAL373061	WAL620003
		10	P-GEV 10 L/R 1/2	7.6	G 1/2 A	27.5	20	13	14	26	27	19	WAL373062	WAL620230
		12	P-GEV 12 L/R 1/4	6.0	G 1/4 A	27	19	12	12	18	19	22	WAL373063	WAL620198
		12	P-GEV 12 LR	6.3	G 3/8 A	27	19.5	12.5	12	22	22	22	WAL373064	WAL620007
		12	P-GEV 12 L/R 1/2	9.5	G 1/2 A	28	20	13	14	26	27	22	WAL373065	WAL620148
		15	P-GEV 15 L/R 3/8	9.3	G 3/8 A	28.5	20.5	13.5	12	22	24	27	WAL373066	WAL620191
		15	P-GEV 15 LR	16.5	G 1/2 A	29	21	14	14	26	27	27	WAL373067	WAL620008
		15	P-GEV 15 L/R 3/4	9.3	G 3/4 A	30	22	15	16	32	32	27	WAL602629	WAL620861
		18	P-GEV 18 LR	12.9	G 1/2 A	31	22	14.5	14	26	27	32	WAL373068	WAL620009
		18	P-GEV 18 LR 3/4	18.0	G 3/4 A	31	22	14.5	16	32	32	32	WAL374919	WAL620471
L	250 (3626)	22	P-GEV 22 LR	17.6	G 3/4 A	33	24	16.5	16	32	32	36	WAL373069	WAL620010
		22	P-GEV 22 LR 1/2	17.5	G 1/2 A	33	24	16.5	14	26	32	36	WAL373845	WAL620469
		28	P-GEV 28 LR	24.7	G 1 A	34	25	17.5	18	39	41	41	WAL373070	WAL620011
		28	P-GEV 28 LR 3/4	25.0	G 3/4 A	34	25	17.5	16	32	41	41	WAL374846	WAL620788
		35	P-GEV 35 LR	40.7	G 1 1/4 A	39	28	17.5	20	49	50	50	WAL373071	WAL620012
		42	P-GEV 42 LR	45.6	G 1 1/2 A	42	30	19	22	55	55	60	WAL373072	WAL620013

⚠ Caution: The pressure specifications refer to the steel version. For the stainless steel version (1.4571), please refer to the pressure specifications on page B5.

*Complete stainless steel fittings (1.4571) with silver-plated nut (AG/AGP), see price list

L₂= approximate dimension if the union nut is tightened

Special parts are available on request.