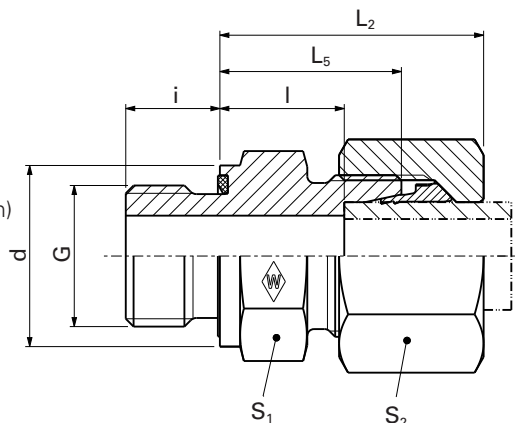


Straight male fittings

P-GEV ... R-WD

P-GEV ... R-WD-1.4571

- With soft seal made from NBR** (e.g. Perbunan) for steel
- With soft seal made from FKM (e.g. Viton) for stainless steel (1.4571)
- Inch studs type E to DIN EN ISO 1179-2



E

WALPRO P-GEV ... **WALPRO stainless steel P-GEV ... -VI-1.4571**

Series	PN bar (psi)	Tube outer diameter	Model	kg/100 pc.	DIN-ISO 228 (R ..., DIN 259) G	L_2	L_5	L	i	d	S_1	S_2	Art. no.	Art. no.
L	500 (7252)	6	P-GEV 6 LR-WD	2.5	G 1/8 A	23	15.5	8.5	8	13.9	14	14	WAL373115	WAL620444
		6	P-GEV 6 L/R 1/4-WD	4.1	G 1/4 A	24.5	17	10	12	18.9	19	14	WAL605925	WAL620754
		8	P-GEV 8 LR-WD	4.5	G 1/4 A	25	17	10	12	18.9	19	17	WAL373116	WAL620509
		8	P-GEV 8 L/R 1/8-WD	3.8	G 1/8 A	24	16.5	9.5	8	13.9	14	17	WAL605926	WAL620971
	400 (5801)	8	P-GEV 8 L/R 3/8-WD	6.0	G 3/8 A	26	18.5	11.5	12	21.9	22	17	WAL605927	WAL620907
	500 (7252)	10	P-GEV 10 LR-WD	4.7	G 1/4 A	26	18	11	12	18.9	19	19	WAL373117	WAL620437
		10	P-GEV 10 L/R 3/8-WD	6.5	G 3/8 A	27	19.5	12.5	12	21.9	22	19	WAL602560	WAL620752
		10	P-GEV 10 L/R 1/2-WD	7.6	G 1/2 A	27.5	21	13	14	26.9	27	19	WAL605928	WAL620753
		12	P-GEV 12 L/R 1/4-WD	6.0	G 1/4 A	27	19	12	12	18.9	19	22	WAL373118	WAL620592
		12	P-GEV 12 LR-WD	6.3	G 3/8 A	27	19.5	12.5	12	21.9	22	22	WAL373119	WAL620561
		12	P-GEV 12 L/R 1/2-WD	10.0	G 1/2 A	28	20	13	14	26.9	27	22	WAL602513	WAL620761
	400 (5801)	15	P-GEV 15 L/R 3/8-WD	9.3	G 1/2 A	28	20	13.5	14	26.9	27	27	WAL373120	WAL620852
		15	P-GEV 15 LR-WD	11.5	G 3/8 A	28.5	21	14	12	21.9	27	27	WAL605443	WAL620460
		18	P-GEV 18 LR-WD	12.9	G 1/2 A	31	22	14.5	14	26.9	27	32	WAL373121	WAL620438
		18	P-GEV 18 L/R 3/4-WD	18.0	G 3/4 A	31	22	14.5	16	31.9	32	32	WAL605215	WAL620977
		22	P-GEV 22 LR-WD	17.6	G 3/4 A	33	24	16.5	14	26.9	32	36	WAL373122	WAL620439
		250 (3626)	28	P-GEV 28 LR-WD	24.7	G 1 A	34	25	17.5	18	39.9	41	41	WAL373123
	35	P-GEV 35 LR-WD	40.7	G 1 1/4 A	39	28	17.5	20	49.9	50	50	WAL373124	WAL620558	
42	P-GEV 42 LR-WD	45.6	G 1 1/2 A	42	30	19	22	54.9	55	60	WAL373125	WAL620593		
S	800 (11603)	6	P-GEV 6 SR-WD	5.0	G 1/4 A	28	20	13	12	18.9	19	17	WAL373126	WAL620445
		8	P-GEV 8 SR-WD	5.5	G 1/4 A	30	22	15	12	18.9	19	19	WAL373127	WAL620763
		8	P-GEV 8 S/R 3/8-WD	5.3	G 3/8 A	30.5	22.5	15.5	12	21.9	22	19	WAL604229	WAL620988
		10	P-GEV 10 SR-WD	8.2	G 3/8 A	31	22.5	15	12	21.9	22	22	WAL373128	WAL620567
		10	P-GEV 10 S/R 1/4-WD	7.5	G 1/4 A	30.5	22	14.5	12	18.9	19	22	WAL605114	WAL620644
		10	P-GEV 10 S/R 1/2-WD	8.9	G 1/2 A	33.5	25	17.5	14	26.9	27	22	WAL605932	WAL620822
	630 (9137)	12	P-GEV 12 SR-WD	9.5	G 3/8 A	33	24.5	17	12	21.9	22	24	WAL373129	WAL620478
		12	P-GEV 12 S/R 1/4-WD	9.5	G 1/4 A	32.5	24	16.5	12	18.9	22	24	WAL605933	WAL620645
		12	P-GEV 12 S/R 1/2-WD	13.5	G 1/2 A	34	25	17.5	14	26.9	27	24	WAL604466	WAL620828
		14	P-GEV 14 SR-WD	14.8	G 1/2 A	37	27	19	14	26.9	27	27	WAL373130	WAL621513
		16	P-GEV 16 SR-WD	15.4	G 1/2 A	37	27	18.5	14	26.9	27	30	WAL373131	WAL620562
		16	P-GEV 16 S/R 3/8-WD	15.2	G 3/8 A	36.5	26	18	12	21.9	27	30	WAL605222	WAL620795
420 (6091)	16	P-GEV 16 S/R 3/4-WD	23.0	G 3/4 A	39	29	20.5	16	31.9	32	30	WAL604561	WAL620991	
	20	P-GEV 20 SR-WD	25.3	G 3/4 A	42	31	20.5	16	31.9	32	36	WAL373132	WAL620643	
	25	P-GEV 25 SR-WD	46.5	G 1 A	47	35	23	18	39.9	41	46	WAL373133	WAL620598	
	25	P-GEV 25 S/R 3/4-WD	45.5	G 3/4 A	47	35	23	16	31.9	41	46	WAL604562	WAL620647	
	30	P-GEV 30 SR-WD	64.4	G 1 1/4 A	50	37	23.5	20	49.9	50	50	WAL373134	WAL620646	
	38	P-GEV 38 SR-WD	88.9	G 1 1/2 A	57	42	26	22	54.9	55	60	WAL373135	WAL620617	

⚠ Caution: The pressure specifications refer to the steel version. For the stainless steel version (1.4571), please refer to the pressure specifications on page B5.
 *Complete stainless steel fittings (1.4571) with silver-plated nut (AG/AGP), see price list
 L_2 = approximate dimension if the union nut is tightened
 **FPM (e.g. Viton) see price list / available on request

Special parts are available on request.