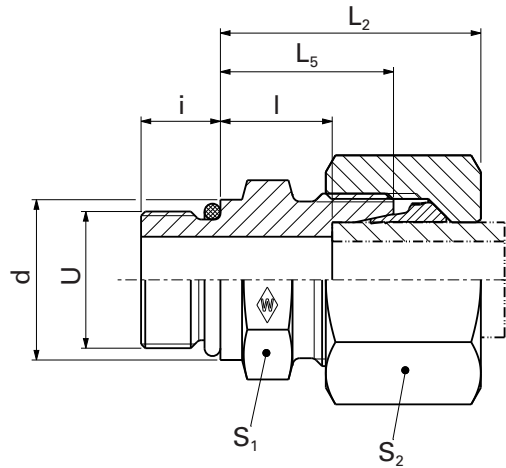


Straight male fittings

P-GEV ... UNF/UN

- with O-ring made from NBR* (e.g. Perbunan)
- Stud to ISO 11926-2 and -3 (UNF/UN) / SAE J 514 (UST)



E

WALPRO
P-GEV ...

Series	PN bar (psi)	Tube outer diameter	Model	kg/ 100 pc.	L_2	L_5	l	i	d	S_1	S_2	*O-ring	Art. no.	
L	400 (5801)	6	P-GEV 6 L/ 9/16-18 UNF	3.7	25	17	10	10	17.6	19	14	11.9 x 1.98	WAL373157	
		8	P-GEV 8 L/ 7/16-20 UNF	3.2	25	17	10	9	14.4	17	17	8.92 x 1.83	WAL373158	
		8	P-GEV 8 L/ 9/16-18 UNF	3.7	25	17	10	10	17.6	19	17	11.9 x 1.98	WAL373159	
		10	P-GEV 10 L/ 7/16-20 UNF	4.0	26	18	11	9	14.4	17	19	8.92 x 1.83	WAL373160	
		10	P-GEV 10 L/ 9/16-18 UNF	4.6	26	18	11	10	17.6	19	19	11.9 x 1.98	WAL373161	
		10	P-GEV 10 L/ 3/4-16 UNF	7.6	28	20	13	11	22.3	24	19	16.36 x 2.20	WAL373162	
		12	P-GEV 12 L/ 9/16-18 UNF	6.1	26	18	11	10	17.6	19	22	11.9 x 1.98	WAL373164	
		12	P-GEV 12 L/ 3/4-16 UNF	7.6	28	20	13	11	22.3	24	22	16.36 x 2.20	WAL373165	
		12	P-GEV 12 L/ 7/8-14 UNF	8.8	29	21	14	12.7	25.5	27	22	19.18 x 2.46	WAL373166	
		15	P-GEV 15 L/ 3/4-16 UNF	9.5	29	21	14	11	22.3	24	27	16.36 x 2.20	WAL373168	
		15	P-GEV 15 L/ 7/8-14 UNF	11.0	30	22	15	12.7	25.5	27	27	19.18 x 2.46	WAL373169	
		18	P-GEV 18 L/ 3/4-16 UNF	12.5	31	22	14.5	11	22.3	27	32	16.36 x 2.20	WAL373170	
		18	P-GEV 18 L/ 7/8-14 UNF	13.2	31	22	14.5	12.7	25.5	27	32	19.18 x 2.46	WAL373171	
		22	P-GEV 22 L/ 7/8-14 UNF	17.2	33	24	16.5	12.7	25.5	32	36	19.18 x 2.46	WAL373172	
		22	P-GEV 22 L/ 1 1/16-12 UN	18.5	33	24	16.5	15	31.9	32	36	23.47 x 2.95	WAL373173	
		250 (3626)	28	P-GEV 28 L/ 7/8-14 UNF	22.0	34	25	17.5	12.7	25.5	41	41	19.18 x 2.46	WAL373174
		28	P-GEV 28 L/ 1 5/16-12 UN	25.0	34	25	17.5	15	38.2	41	41	29.74 x 2.95	WAL373175	
		35	P-GEV 35 L/ 1 5/8-12 UN	40.0	39	28	17.5	15	47.7	50	50	37.46 x 3	WAL373177	
42	P-GEV 42 L/ 1 5/8-12 UN	46.2	42	30	19	15	47.7	55	55	37.46 x 3	WAL374346			
S	630 (9137)	12	P-GEV 12 S/ 3/4-16 UNF	10.0	34	25	17.5	11	22.3	24	24	16.36 x 2.20	WAL373180	
		16	P-GEV 16 S/ 3/4-16 UNF	13.0	34	24	15.5	11	22.3	24	30	16.36 x 2.20	WAL373182	
		16	P-GEV 16 S/ 7/8-14 UNF	15.0	37	27	18.5	12.7	25.5	27	30	19.18 x 2.46	WAL373183	
	400 (5801)	20	P-GEV 20 S/ 3/4-16 UNF	22.0	42	31	20.5	11	22.3	32	36	16.36 x 2.20	WAL373184	
		20	P-GEV 20 S/ 7/8-14 UNF	23.0	42	31	20.5	12.7	25.5	32	36	19.18 x 2.46	WAL373185	
		20	P-GEV 20 S/ 1 1/16-12 UN	25.0	42	31	20.5	15	31.9	32	36	23.47 x 2.95	WAL373186	
315 (4569)	25	P-GEV 25 S/ 1 5/16-12 UN	46.0	47	35	23	15	38.2	41	46	29.74 x 2.95	WAL373189		
	30	P-GEV 30 S/ 1 5/8-12 UN	62.0	50	37	23.5	15	47.7	50	50	37.46 x 3	WAL373191		

L_2 = approximate dimension if the union nut is tightened
*For FPM (e.g. Viton) see price list / available on request

Special parts are available on request.