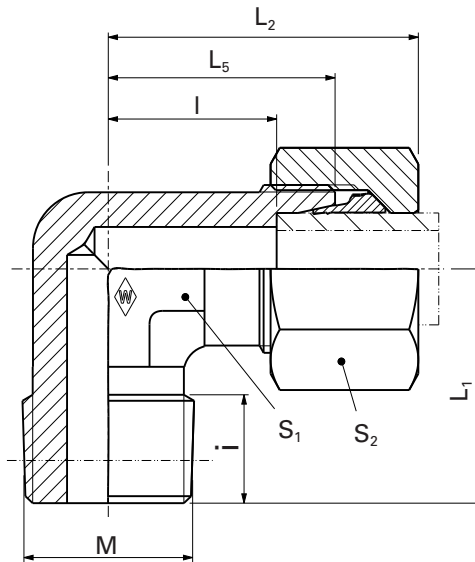


Male elbow fittings

P-WEV ... MK

P-WEV ... MK-1.4571

- Tapered studs type C to DIN 3852-1 with metric thread



E

Series	PN bar (psi)	Tube outer diameter	Model	M	kg/100 pc.	L ₁	L ₂	L ₅	I	i	S ₁	S ₂	Art. no.	Art. no.
LL	100 (1450)	4	S-WEV 4 LLMK	M 8 x 1 taper	2.1	17	21	15	11	8	11	10	WAL038427	WAL616402
		6	S-WEV 6 LLMK	M 10 x 1 taper	2.4	17	21	15	9.5	8	11	12	WAL038429	WAL609041
		8	S-WEV 8 LLMK	M 10 x 1 taper	3.4	20	23	17	11.5	8	12	14	WAL038430	WAL616403
L	250 (3626)	6	P-WEV 6 LMK	M 10 x 1 taper	4.0	20	27	19	12	8	12	14	WAL373213	WAL620050
		8	P-WEV 8 LMK	M 12 x 1.5 taper	6.6	26	29	21	14	12	14	17	WAL373214	WAL620610
		10	P-WEV 10 LMK	M 14 x 1.5 taper	8.3	27	30	22	15	12	17	19	WAL373215	WAL620999
		12	P-WEV 12 LMK	M 16 x 1.5 taper	11.8	28	32	24	17	12	19	22	WAL373216	WAL620051
		15	P-WEV 15 LMK	M 18 x 1.5 taper	12.0	32	36	28	21	12	19	17	WAL373217	WAL620052
	160 (2321)	18	P-WEV 18 LMK	M 22 x 1.5 taper	16.6	36	40	31	23.5	14	24	32	WAL373218	WAL620053
S	630** (9137)	6	P-WEV 6 SMK	M 12 x 1.5 taper	7.2	26	31	23	16	12	14	17	WAL373219	WAL621000
		8	P-WEV 8 SMK	M 14 x 1.5 taper	8.8	27	32	24	17	12	17	19	WAL373220	WAL620665
		10	P-WEV 10 SMK	M 16 x 1.5 taper	13.4	28	34	25	17.5	12	19	22	WAL373221	WAL620666
		12	P-WEV 12 SMK	M 18 x 1.5 taper	16.5	28	38	29	21.5	12	22	24	WAL373222	WAL620667
		14	P-WEV 14 SMK	M 20 x 1.5 taper	15.3	32	40	30	22	14	19	27	WAL373223	WAL621647
	400 (5801)	16	P-WEV 16 SMK	M 22 x 1.5 taper	17.9	32	43	33	24.5	14	24	30	WAL373224	WAL621001

WALPRO P-WEV ...
WALPRO stainless steel P-WEV ...-1.4571*

⚠ Caution: The pressure specifications refer to the steel version. For the stainless steel version (1.4571), please refer to the pressure specifications on page B5.

*Complete stainless steel fittings (1.4571) with silver-plated nut (AG/AGP), see price list

L₂= approximate dimension if the union nut is tightened

**The nominal pressure of 630 bar only applies to tapered ports; otherwise, the nominal pressure is 400 bar

Special parts are available on request.