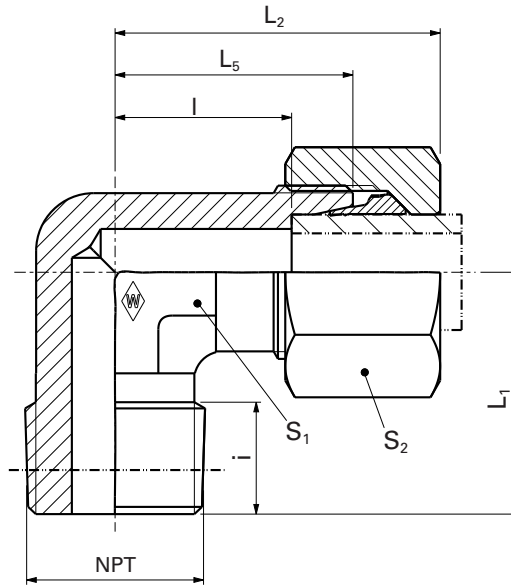


Male elbow fittings

P-WEV ... NPT

P-WEV ... NPT-1.4571

- Stud with NPT thread to ANSI/ASME B1.20.1-1983



E

Series	PN bar (psi)	Tube outer diameter	Model	NPT	kg/100 pc.	L ₁	L ₂	L ₅	I	i	S ₁	S ₂	WALPRO P-WEV ... Art. no.	WALPRO stainless steel P-WEV ...-1.4571* Art. no.
LL	100 (1450)	4	S-WEV 4LL/ 1/8 NPT	1/8 NPT	2.0	17	21	15	11	10	10	10	WAL038383	WAL616408
		6	S-WEV 6 LL/ 1/8 NPT	1/8 NPT	2.3	17	21	15	9.5	10	10	12	WAL038385	WAL608456
		8	S-WEV 8 LL/ 1/8 NPT	1/8 NPT	3.3	20	23	17	11.5	10	12	14	WAL038386	WAL607142
L	250 (3626)	6	P-WEV 6 L/ 1/8 NPT	1/8 NPT	4.0	20	27	19	12	10	12	14	WAL373228	WAL620499
		8	P-WEV 8 L/ 1/4 NPT	1/4 NPT	6.3	26	29	21	14	15	14	17	WAL373229	WAL620187
		10	P-WEV 10 L/ 1/4 NPT	1/4 NPT	8.2	27	30	22	15	15	17	19	WAL373230	WAL620188
		12	P-WEV 12 L/ 1/4 NPT	1/4 NPT	11.4	28	32	24	17	15	19	22	WAL373231	WAL620215
		12	P-WEV 12 L/ 3/8 NPT	3/8 NPT	11.6	28	32	24	17	15	19	22	WAL373232	WAL620257
		15	P-WEV 15 L/ 1/2 NPT	1/2 NPT	14.0	34	36	28	21	14	19	27	WAL373233	WAL620258
		18	P-WEV 18 L/ 1/2 NPT	1/2 NPT	16.5	36	40	31	23.5	20	24	32	WAL373234	WAL620134
22	P-WEV 22 L/ 3/4 NPT	3/8 NPT	23.5	42	44	35	27.5	20	27	36	WAL373235	WAL621002		
100 (1450)	28	P-WEV 28 L/1 NPT	1 NPT	37.5	48	47	38	30.5	23	36	41	WAL373236	WAL621003	
S	630 (9137)	6	P-WEV 6 S/ 1/4 NPT	1/4 NPT	6.9	26	31	23	16	15	14	17	WAL373239	WAL620484
		8	P-WEV 8 S/ 1/4 NPT	1/4 NPT	9.5	27	32	24	17	15	17	19	WAL373240	WAL620501
		10	P-WEV 10 S/ 3/8 NPT	3/8 NPT	13.3	28	34	25	17.5	15	19	22	WAL373241	WAL620750
		12	P-WEV 12 S/ 3/8 NPT	3/8 NPT	16.8	28	38	29	21.5	15	22	24	WAL373242	WAL620366
		14	P-WEV 14 S/ 1/2 NPT	1/2 NPT	16.6	33	40	30	22	15	19	27	WAL373243	WAL621646
		16	P-WEV 16 S/ 1/2 NPT	1/2 NPT	18.4	33	43	33	24.5	17	24	30	WAL373244	WAL620663
		20	P-WEV 20 S/ 3/4 NPT	3/4 NPT	30.0	42	48	37	26.5	20	27	36	WAL373245	WAL620216
400 (5801)	25	P-WEV 25 S/1 NPT	1 NPT	56.5	48	54	42	30	23	36	46	WAL373246	WAL621004	

⚠ Caution: The pressure specifications refer to the steel version. For the stainless steel version (1.4571), please refer to the pressure specifications on page B5.

*Complete stainless steel fittings (1.4571) with silver-plated nut (AG/AGP), see price list

L₂= approximate dimension if the union nut is tightened

Special parts are available on request.