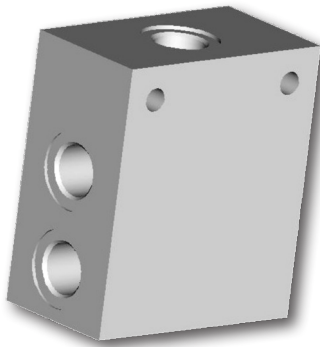


In-Line Bodies for Screw-In Cartridge Valves

SB

p_{max} (AL) 250 bar (3600 PSI) • p_{max} (G) 350 bar (5080 PSI) • p_{max} (ST) 420 bar (6100 PSI)



Technical Features

- › In-line bodies designed to accommodate different cartridge valves and thus provide highly versatile solutions to hydraulic control functions
- › Different valve functions in the same body are possible due to standardised cavities and valve housings across a wide range of cartridge valves
- › Various cavities with SAE and ISO metric threads available
- › Connecting ports for pipes with SAE and BSP threads available
- › Bodies are available in aluminium, steel and cast iron. In the standard version, aluminium bodies are without surface treatment, steel bodies are zinc-coated for 240 h protection acc. to ISO 9227 and cast iron bodies are phosphated
- › Cast iron body versions additionally feature a gauge port

Ordering Code

SB - [] - [] [] [] [] [] [] [] - []

In-Line Bodies for Screw-In Cartridge Valves

Cavity*

3/4-16 UNF-2B, 2-Way	(C-8-2)	A2
3/4-16 UNF-2B, 3-Way	(C-8-3)	A3
3/4-16 UNF-2B, 4-Way	(C-8-4)	A4
7/8-14 UNF-2B, 2-Way	(C-10-2)	B2
7/8-14 UNF-2B, 3-Way	(C-10-3)	B3
7/8-14 UNF-2B, 4-Way	(C-10-4)	B4
7/8-14 UNF-2B, 3-Way	(C-10-3S)	BP3
7/8-14 UNF-2B, 4-Way		BPY3
1-1/16 UN-2B, 2-Way	(C-12-2)	C2
1-1/16 UN-2B, 3-Way	(C-12-3)	C3
1-1/16 UN-2B, 3-Way	(C-12-3S)	CP3
1-1/16 UN-2B, 4-Way		CPY3
1-1/8-12 UNF-2B, 3-Way		U3
1-1/8-12 UNF-2B, 4-Way		U4
1-5/16-12 UNF-2B, 3-Way	(C-16-3S)	S3
1-5/16-12 UN-2B, 4-Way		V4
1-5/16-12 UN-2B, 4-Way	(C-16-4)	D4
M20x1.5, 3-Way		Q3
M22x1.5, 2-Way		QG2
M22x1.5, 3-Way		QF3
M27x1.5, 3-Way		R3
M27x2, 2-Way		QK2
M27x2, 2-Way		K2
M27x2, 3-Way		K3
M27x2, 3-Way		QL3
M30x1.5 S,SY 2-Way		RB2
M30x1.5 SX 3-Way		RB3
M38x2, 3-Way		T3
SLIP-IN, 3-Way		W3, X3,Y3
SLIP-IN, 4-Way		Z4

*For more details on cavities and suitable valve types please see the SMT catalogue 0019.

No designation	Surface treatment
P	without treatment*
A	phosphated**
B	240 h salt spray test (ISO 9227)***
E1	520 h salt spray test (ISO 9227)***
	elox transparent *

*only for aluminium bodies
**only for cast iron bodies
***only for steel bodies

No designation	Material seals - only for Plugs
N	NBR
V	FPM (Viton)

No designation	Body material
AL	aluminium
ST	steel
G	cast iron

No designation	Gauge port
M	without gauge port
	gauge port

No designation	Control port
XY	without control port
	drain for valve type VPN2-10, VPN1-20 version
	SX and SY

No designation	Number of „P“-ports*
P	single port „P1“
	*dual port „P1“ and „P2“

*only for cavity QG2, QK2, QL3, RB2,RB3

Body configuration

Single body	01
Dual body	02
Triple body	03

01	G1/4
02	SAE6, (9/6-18 UNF-2B)
03	G3/8
04	SAE8, (3/4-16 UNF-2B)
05	G1/2
06	SAE10, (7/8-14 UNF-2B)
07	G3/4
08	SAE12, (1-1/16-12 UN-2B)
09	G1
10	SAE16 (1-5/16-12 UN-2B)
11	G3/4 (A,P), G1/2 (T)

Not all combination of features are available as actual products. The standard versions are listed on pages 2 and 3. For the identification and feasibility of other body versions consult our technical department.

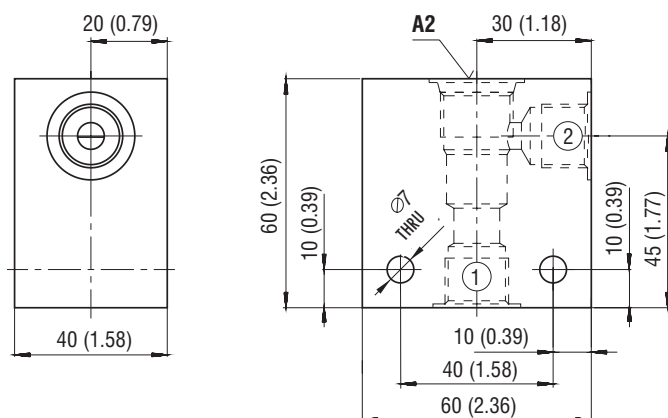
List of Bodies According to Cavity Types

Cavity	Connecting thread	Material	Ordering code	Pressure bar (PSI)	Weight kg (lbs)	Dimensions	Ordering No.		
A2 (C-8-2) 3/4-16 UNF-2B 2-Way	G1/4	Aluminium	SB-A2-0101AL	250 (3626)	0.56 (1.23)	Page 5	28129501		
		Steel	SB-A2-0101ST-A	420 (6091)	1.27 (3.46)		27308300		
	SAE6, 9/6-18	Aluminium	SB-A2-0102AL	250 (3626)	0.56 (1.23)		24365800		
		Steel	SB-A2-0102ST-A	420 (6091)	1.27 (3.46)		24365700		
	G3/8	Aluminium	SB-A2-0103AL	250 (3626)	0.56 (1.23)		40152100		
		Steel	SB-A2-0103ST-A	420 (6091)	1.27 (3.46)		15662001		
	SAE8, 3/4-16	Aluminium	SB-A2-0104AL	250 (3626)	0.56 (1.23)		33969000		
	G1/2	Aluminium	SB-A2-0105AL	250 (3626)	0.56 (1.23)		19569000		
		Steel	SB-A2-0105ST-A	420 (6091)	1.27 (3.46)		19569100		
	A3 (C-8-3) 3/4-16 UNF-2B 3-Way	G1/4	Aluminium	SB-A3-0101AL	250 (3626)		0,63 (1.39)	Page 5	24365901
Steel			SB-A3-0101ST-A	420 (6091)	1,36 (3.00)	28649300			
SAE6, 9/6-18		Aluminium	SB-A3-0102AL	250 (3626)	0,63 (1.39)	15662300			
		Steel	SB-A3-0102ST-A	420 (6091)	1,36 (3.00)	29888000			
G3/8		Aluminium	SB-A3-0103AL	250 (3626)	0,63 (1.39)	40186200			
		Steel	SB-A3-0103ST-A	420 (6091)	1,36 (3.00)	17031300			
SAE8, 3/4-16		Aluminium	SB-A3-0104AL	250 (3626)	0,63 (1.39)	33979700			
A4 (C-8-4) 3/4-16 UNF-2B 4-Way		G1/4	Aluminium	SB-A4-0101AL	250 (3626)	0.76 (1.68)	Page 5		20786001
	SAE6, 9/6-18	Steel	SB-A4-0102ST-A	420 (6091)	2.14 (4.72)	34277800			
		Aluminium	SB-A4-0103AL	250 (3626)	0.76 (1.68)	15662700			
	G3/8	Steel	SB-A4-0103ST-A	420 (6091)	2.14 (4.72)	15662600			
		Aluminium	SB-B2-0103AL	250 (3626)	0.54 (1.19)	Page 6		19430701	
	SAE8, 3/4-16	Steel	SB-B2-0103ST-A	420 (6091)	1.50 (3.31)			19937600	
G1/2		Aluminium	SB-B2-0104AL	250 (3626)	0.54 (1.19)		27744700		
	SAE10, 7/8-14	Steel	SB-B2-0105AL	250 (3626)	0.54 (1.19)		19569201		
Steel		SB-B2-0105ST-A	420 (6091)	1.50 (3.31)	19696400				
	SB-B2-0106ST-A	420 (6091)	1.50 (3.31)	34293000					
B3 (C-10-3) 7/8-14 UNF-2B 3-Way	G3/8	Aluminium	SB-B3-0103AL	250 (3626)	0.60 (1.32)	Page 6	19965001		
		Steel	SB-B3-0103ST-A	420 (6091)	1.68 (3.70)		19964800		
	SAE8, 3/4-16	Steel	SB-B3-0104ST-A	420 (6091)	1.68 (3.70)		34048700		
		Aluminium	SB-B3-0105AL	250 (3626)	0.60 (1.32)		31033500		
	G1/2	Steel	SB-B3-0105ST-A	420 (6091)	1.68 (3.70)		27673100		
		Steel	SB-B3-0106ST-A	420 (6091)	1.68 (3.70)		28199100		
	B4 (C-10-4) 7/8-14 UNF-2B 4-Way	G3/8	Aluminium	SB-B4-0103AL	250 (3626)		0.71 (1.57)	Page 6	27461000
			Steel	SB-B4-0103ST-A	420 (6091)		1.99 (4.39)		27567600
SAE8, 3/4-16		Steel	SB-B4-0104ST-A	420 (6091)	1.99 (4.39)	34277600			
		Aluminium	SB-B4-0105AL	250 (3626)	0.71 (1.57)	33054100			
G1/2		Steel	SB-B4-0105ST-A	420 (6091)	1.99 (4.39)	27567500			
		Aluminium	SB-B4-0106AL	250 (3626)	0.71 (1.57)	19965400			
SAE10, 7/8-14		Steel	SB-B4-0106ST-A	420 (6091)	1.99 (4.39)	19965200			
		BP3-01 (C-10-3S) 7/8-14 UNF-2B 3-Way	G3/8	Steel	SB-BP3-0103ST-B	420 (6091)	1,77 (3.90)		Page 7
SAE8, 3/4-16	Steel		SB-BP3-0104ST-B	420 (6091)	1,74 (3.84)	40954700			
	Steel		SB-BP3-0105ST-B	420 (6091)	1,75 (3,86)	40950900			
SAE10, 7/8-14	Steel		SB-BP3-0106ST-B	420 (6091)	1,71 (3.79)	40956800			
BP3-02 (C-10-3S) 7/8-14 UNF-2B 3-Way	G3/8	Steel	SB-BP3-0203ST-B	420 (6091)	2.35 (5.18)	Page 7	42628700		
	SAE8, 3/4-16	Steel	SB-BP3-0204ST-B	420 (6091)	2.29 (5.05)		42800900		
		Steel	SB-BP3-0205ST-B	420 (6091)	2.28 (5.03)		42801000		
	SAE10, 7/8-14	Steel	SB-BP3-0206ST-B	420 (6091)	2.21 (4.87)		42801100		
BPY3-01 7/8-14 UNF-2B 4-Way	G3/8	Steel	SB-BYP3-0103ST-B	420 (6091)	1,96 (4.32)	Page 8	40952800		
	SAE8, 3/4-16	Steel	SB-BYP3-0104ST-B	420 (6091)	1,92 (4.23)		40957000		
		Steel	SB-BYP3-0105ST-B	420 (6091)	1,93 (4.25)		40953300		
	SAE10, 7/8-14	Steel	SB-BYP3-0106ST-B	420 (6091)	1,88 (4.14)		40958100		
BPY3-02 7/8-14 UNF-2B 4-Way	G3/8	Steel	SB-BPY3-0203ST-B	420 (6091)	2,74 (6.04)	Page 8	43444400		
	SAE8, 3/4-16	Steel	SB-BPY3-0204ST-B	420 (6091)	2,67 (5.89)		43444900		
		Steel	SB-BPY3-0205ST-B	420 (6091)	2,67 (5.89)		43444600		
	SAE10, 7/8-14	Steel	SB-BPY3-0206ST-B	420 (6091)	2,59 (5.71)		43443900		
C2 (C-12-2) 1-1/16-12 UN-2B 2-Way	SAE12, 1-1/16-12	Steel	SB-C2-0108ST-A	420 (6091)	2,30 (5.07)	Page 8	40222200		

Cavity	Connecting thread	Material	Ordering code	Pressure bar (PSI)	Weight kg (lbs)	Dimensions	Ordering No.
C3 (C-12-3) 1-1/16-12 UN-2B 3-Way	G3/4	hlinik	SB-C3-0107AL	250 (3626)	1.23 (2.71)	Page 8	43334300
		ocel	SB-C3-0107ST-B	420 (6091)	3.39 (7.47)		43333900
	SAE12, 1-1/16-12	hlinik	SB-C3-0108AL	250 (3626)	1.21 (2.67)		43385400
		ocel	SB-C3-0108ST-B	420 (6091)	3.32 (7.32)		43385000
	G1	hlinik	SB-C3-0109AL	250 (3626)	1.16 (2.56)		43333800
		ocel	SB-C3-0109ST-B	420 (6091)	3.20 (7.05)		43331200
	SAE16, 1-5/16-12	hlinik	SB-C3-0110AL	250 (3626)	1.14 (2.51)		43385300
		ocel	SB-C3-0110ST-B	420 (6091)	3.15 (6.94)		43383400
CP3-01 (C-12-3S) 1-1/16-12 UN-2B 3-Way	G1/2	Steel	SB-CP3-0105ST-B	420 (6091)	2,61 (5.75)	Page 9	41586400
	SAE10,7/8-14	Steel	SB-CP3-0106ST-B	420 (6091)	2,57 (5.67)		41578800
	G3/4	Steel	SB-CP3-0107ST-B	420 (6091)	2,54 (5.60)		41586700
	SAE12, 1-1/16-12	Steel	SB-CP3-0108ST-B	420 (6091)	2.49 (5.49)		41577600
CP3-02 (C-12-3S) 1-1/16-12 UN-2B 3-Way	G1/2	Steel	SB-CP3-0205ST-B	420 (6091)	3.70 (8.16)	Page 9	42806100
	SAE10,7/8-14	Steel	SB-CP3-0206ST-B	420 (6091)	3,63 (8.00)		42806200
	G3/4	Steel	SB-CP3-0207ST-B	420 (6091)	3.55 (7.83)		42806300
	SAE12, 1-1/16-12	Steel	SB-CP3-0208ST-B	420 (6091)	3.48 (7.67)		42806400
CPY3-01 1-1/16-12 UN-2B 4-Way	G1/2	Steel	SB-CYP3-0105ST-B	420 (6091)	2,99 (6.59)	Page 10	41605700
	SAE10,7/8-14	Steel	SB-CYP3-0106ST-B	420 (6091)	2,94 (6.48)		41598400
	G3/4	Steel	SB-CYP3-0107ST-B	420 (6091)	2,91 (6.42)		41601300
	SAE12, 1-1/16-12	Steel	SB-CYP3-0108ST-B	420 (6091)	2,86 (6.30)		41592700
CPY3-02 1-1/16-12 UN-2B 4-Way	G1/2	Steel	SB-CPY3-0205ST-B	420 (6091)	4.22 (9.30)	Page 10	43451200
	SAE10,7/8-14	Steel	SB-CPY3-0206ST-B	420 (6091)	4.15 (9.15)		43451600
	G3/4	Steel	SB-CPY3-0207ST-B	420 (6091)	4.07 (8.97)		43451300
	SAE12, 1-1/16-12	Steel	SB-CPY3-0208ST-B	420 (6091)	3.98 (8.77)		43448200
S3 (C-16-3S) 1-5/16-12 UNF-2B 3-Way	G3/4	Aluminium	SB-S3-0107AL	250 (3626)	0.95 (2.09)	Page 11	24296100
		Steel	SB-S3-0107ST-A	420 (6091)	1.30 (2.87)		28018500
	G3/4	Aluminium	SB-S3-0207AL	250 (3626)	1.91 (4.21)		24296200
		Steel	SB-S3-0207ST-A	420 (6091)	3.00 (6.61)		28769200
D4 (C-16-4) 1-5/16-12 UN-2B 4-Way	G1/2	Aluminium	SB-D4-0105AL	250 (3626)	1.50 (3.31)	Page 11	27955800
		Steel	SB-D4-0105ST-A	420 (6091)	4.35 (9.59)		31976800
U3 1-1/8-12 UNF-2B 3-Way	G1/2	Aluminium	SB-U3-0105AL	250 (3626)	0.81 (1.79)	Page 12	24296700
		Steel	SB-U3-0105ST-A	420 (6091)	2.07 (4.56)		24296800
U4 1-1/8-12 UNF-2B 4-Way	G1/2	Aluminium	SB-U4-0105AL	250 (3626)	0.80 (1.76)	Page 12	19296500
		Steel	SB-U4-0105ST-A	420 (6091)	2.05 (4.52)		18839000
V4 1-5/16-12 UN-2B 4-Way	G1	Steel	SB-V4-0109ST-A	420 (6091)	4.30 (9.47)	Page 12	27418100
Q3 M20x1.5 3-Way	G3/8	Aluminium	SB-Q3-0103AL	250 (3626)	0.27 (0.60)	Page 13	15628000
		Steel	SB-Q3-0103ST-A	420 (6091)	0.75 (1.65)		24295600
	G3/8	Aluminium	SB-Q3-0203AL	250 (3626)	0.46 (1.01)		17236700
		Steel	SB-Q3-0203ST-A	420 (6091)	1.28 (2.82)		24295700
		Aluminium	SB-Q3-0303AL	250 (3626)	0.47 (1.04)		15628100
QF3 M22x1.5, 3-Way	G3/8	Cast iron	SB-QF3-0103MGN-P	350 (5080)	1.10 (2.43)	Page 14	16002700
R3 M27x1.5 3-Way	G1/2	Aluminium	SB-R3-0105AL	250 (3626)	0.44 (0.97)	Page 14	16947300
		Steel	SB-R3-0105ST-A	420 (6091)	1.20 (2.65)		24295800
		Aluminium	SB-R3-0205AL	250 (3626)	0.78 (1.72)		24295900
		Steel	SB-R3-0205ST-A	420 (6091)	2.15 (4.74)		24296000

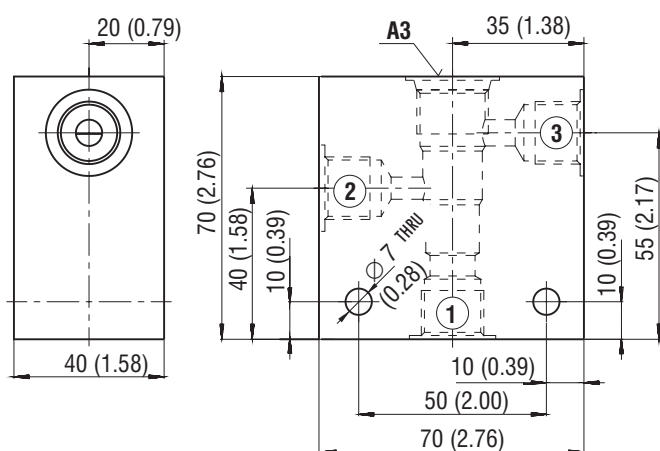
Cavity	Connecting thread	Material	Ordering code	Pressure bar (PSI)	Weight kg (lbs)	Dimensions	Ordering No.
QG2 M22x1.5 2-Way	G3/8	Cast iron	SB-QG2-0103MGN-P	350 (5080)	1.17 (2.58)	Page 15	15989600
			SB-QG2-0103PMGN-P	350 (5080)	1.17 (2.58)		15989400
			SB-QG2-0103PMGV-P	350 (5080)	1.17 (2.58)		22950200
			SB-QG2-0103MGV-P	350 (5080)	1.17 (2.58)		22950400
			SB-QG2-0103G-P	350 (5080)	1.05 (2.31)		15653400
	SAE8, 3/4-16	Cast iron	SB-QG2-0104MGN-P	350 (5080)	1.17 (2.58)		15990000
			SB-QG2-0104MGV-P	350 (5080)	1.17 (2.58)		22939400
			SB-QG2-0104PMGN-A	350 (5080)	1.17 (2.58)		18748500
			SB-QG2-0104PMGN-P	350 (5080)	1.17 (2.58)		15989800
			SB-QG2-0104PMGV-P	350 (5080)	1.17 (2.58)		22939200
	G1/2	Cast iron	SB-QG2-0104G-P	350 (5080)	1.00 (2.20)		15653600
			SB-QG2-0105MGN-P	350 (5080)	1.17 (2.58)		15989700
			SB-QG2-0105PMGN-P	350 (5080)	1.17 (2.58)		15989500
			SB-QG2-0105PMGV-P	350 (5080)	1.17 (2.58)		22950300
			SB-QG2-0105MGV-P	350 (5080)	1.17 (2.58)		22950500
	SAE10, 7/8-14	Cast iron	SB-QG2-0105G-P	350 (5080)	1.00 (2.20)		15653500
			SB-QG2-0106MGN-P	350 (5080)	1.17 (2.58)		15990100
			SB-QG2-0106MGV-P	350 (5080)	1.17 (2.58)		22939500
			SB-QG2-0106PMGV-P	350 (5080)	1.17 (2.58)		22939300
			SB-QG2-0106PMGN-P	350 (5080)	1.17 (2.58)		15989900
W3, X3 D20, 3-Way	G3/8	Aluminium	SB-W3-0103AL	250 (3626)	0.56 (1.23)	Page 15	18737300
	SAE8, 3/4-16		SB-W3-0104AL	250 (3626)	0.56 (1.23)		30945900
Y3 D17, 3-Way	G3/8	Aluminium	SB-Y3-0103AL	250 (3626)	0.55 (1.21)	Page 15	18737200
QK2, M27x2 2-Way	G3/4	Cast iron	SB-QK2-0107MGN-P	350 (5080)	2.70 (5.95)	Page 16	15996300
			SB-QK2-0107MGN-A	350 (5080)	2.70 (5.95)		24510200
			SB-QK2-0107MGV-P	350 (5081)	2.70 (5.95)		22976300
			SB-QK2-0107PMGN-P	350 (5080)	2.70 (5.95)		15996500
			SB-QK2-0107PMGV-A	350 (5080)	2.70 (5.95)		19002800
	SAE12, 1-1/16	Cast iron	SB-QK2-0107PMGV-P	350 (5080)	2.70 (5.95)		22976600
			SB-QK2-0108PMGN-P	350 (5080)	2.70 (5.95)		15996600
			SB-QK2-0108PMGV-P	350 (5080)	2.70 (5.95)		22980100
QL3 M27x2, 2-Way	G3/4	Cast iron	SB-QL3-0107XYMGN-P	350 (5080)	2.70 (5.95)	Page 16	15996400
			SB-QL3-0107XYMGV-P	350 (5080)	2.70 (5.95)		22976400
K2 M27x2 2-Way	G1/2	Aluminium	SB-K2-0105AL	250 (3626)	0.40 (0.88)	Page 16	16991600
		Steel	SB-K2-0105ST-A	420 (6091)	1.50 (3.31)		18953400
K3 M27x2 2-Way	G1/2	Aluminium	SB-K3-0105AL	250 (3626)	0.65 (1.43)	Page 16	27135800
		Steel	SB-K3-0105ST-A	420 (6091)	1.59 (3.51)		24296400
	SAE10, 7/8-14	Aluminium	SB-K3-0106AL	250 (3626)	0.57 (1.26)		24296300
	G3/4, G1/2	Aluminium	SB-K3-0111AL	250 (3626)	0,87 (1.92)		42505300
		Steel	SB-K3-0111ST-B	420 (6091)	2,39 (5.27)		42499100
T3 M38x2 3-Way	G1	Aluminium	SB-T3-0109AL	250 (3626)	1.47 (3.24)	On request	27871900
		Steel	SB-T3-0109ST-A	420 (6091)	4.00 (8.82)		27135700
			SB-T3-0209ST-A	420 (6091)	6.20 (13.7)		30547100
RB2 M30x1.5 2-Way Valve S, SY	G1	Steel	SB-RB2-0109XYMST-B	420 (6091)	3.98 (8.77)	Page 17	40793100
			SB-RB2-0109PXYMST-B		4.20 (9.26)		40792500
RB3 M30x1.5 2-Way Valve SX	G1	Steel	SB-RB3-0109XYMST-B	420 (6091)	4.20 (9.26)	Page 17	40783900
			SB-RB3-0109PXYMST-B		4.18 (9.22)		40777500
Z4 7/8-14 UNF-2B 4-Way	G3/8	Aluminium	SB-Z4-0103AL	250 (3626)	2.14 (4.72)	Page 18	34095800

Body for 2-Way SIC Valve



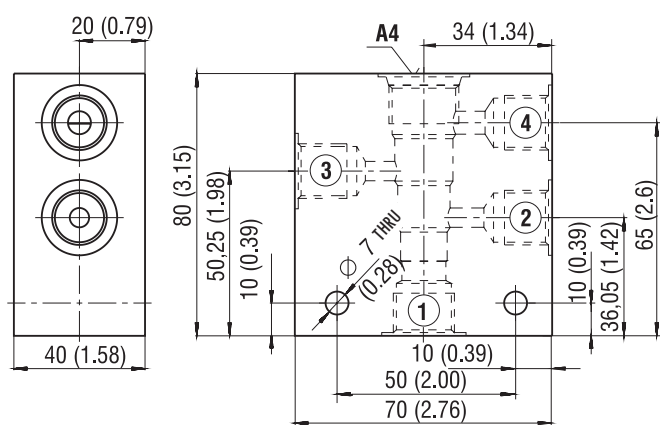
Model A2	Connecting port
	1, 2
SB-A2-0101*	G1/4
SB-A2-0102*	SAE6, 9/16-18
SB-A2-0103*	G3/8
SB-A2-0104*	SAE8, 3/4-16

Body for 3-Way SIC Valve



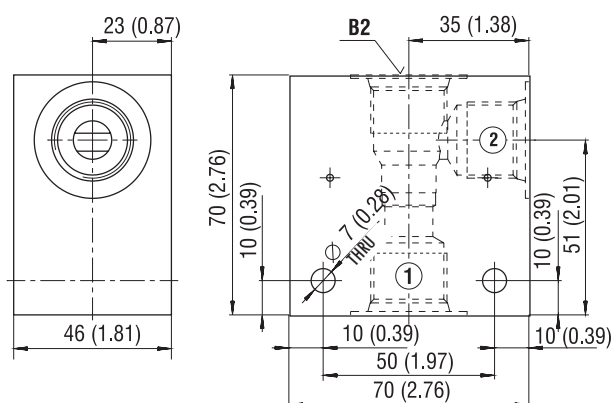
Model A3	Connecting port
	1, 2, 3
SB-A3-0101*	G1/4
SB-A3-0102*	SAE6, 9/16-18
SB-A3-0103*	G3/8
SB-A3-0104*	SAE8, 3/4-16

Body for 4-Way SIC Valve



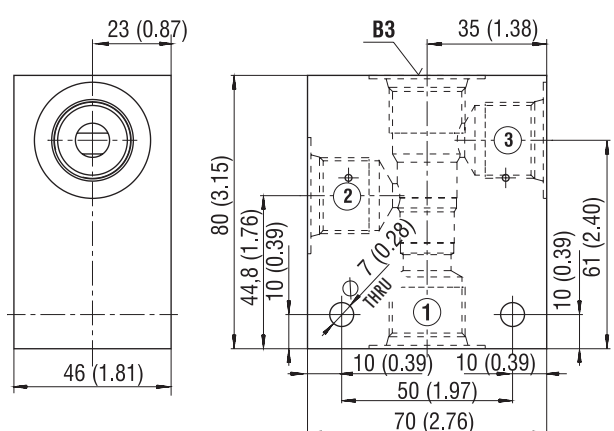
Model A4	Connecting port
	1, 2, 3, 4
SB-A4-0101*	G1/4
SB-A4-0102*	SAE6, 9/16-18
SB-A4-0103*	G3/8
SB-A4-0104*	SAE8, 3/4-16

Body for 2-Way SIC Valve



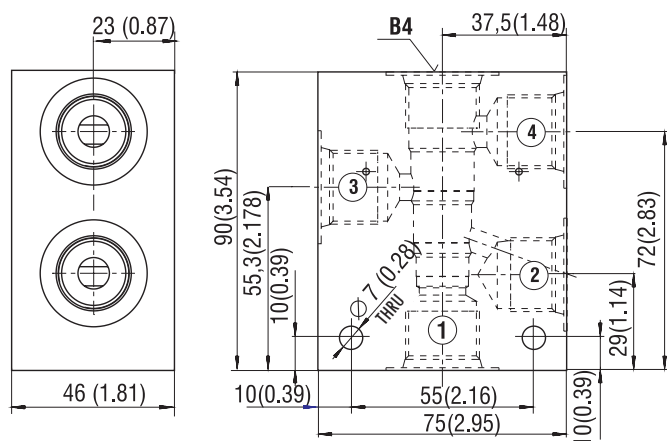
Model B2	Connecting port
	1, 2
SB-B2-0103*	G3/8
SB-B2-0104*	SAE8, 3/4-16
SB-B2-0105*	G1/2
SB-B2-0106*	SAE10, 7/8-14

Body for 3-Way SIC Valve

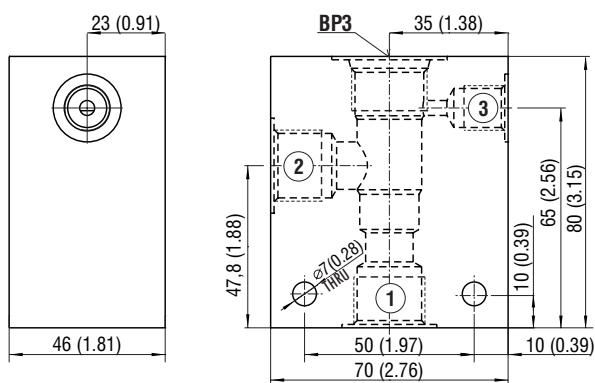


Model B3	Connecting port
	1, 2, 3
SB-B3-0103*	G3/8
SB-B3-0104*	SAE8, 3/4-16
SB-B3-0105*	G1/2
SB-B3-0106*	SAE10, 7/8-14

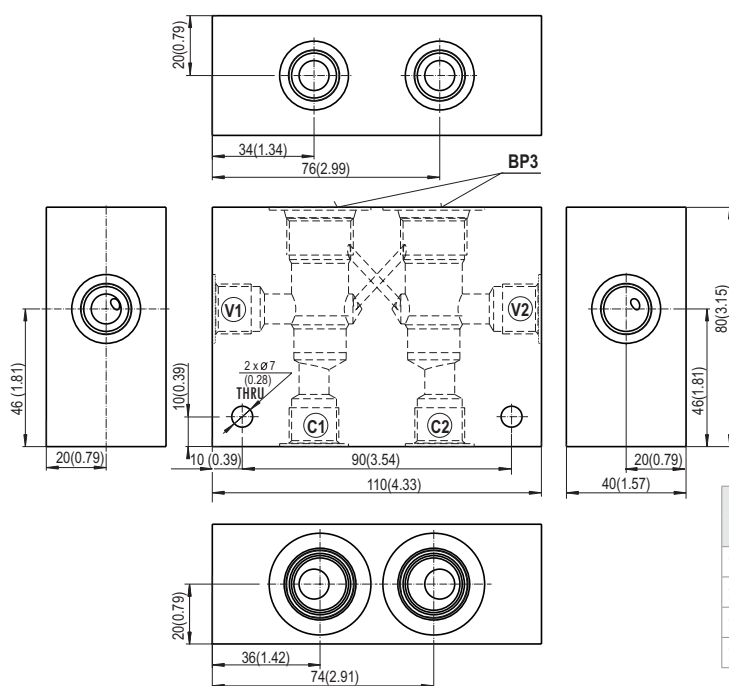
Body for 4-Way SIC Valve



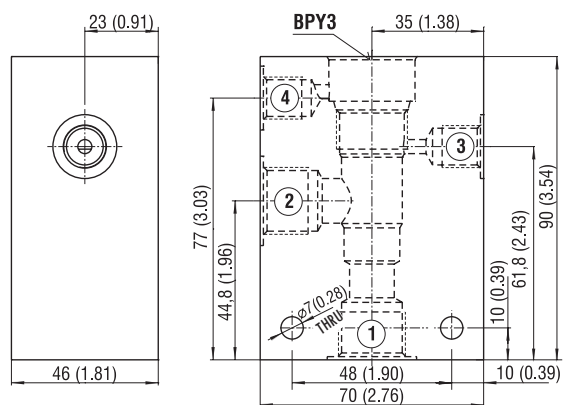
Model B4	Connecting port
	1, 2, 3, 4
SB-B4-0103*	G3/8
SB-B4-0104*	SAE8, 3/4-16
SB-B4-0105*	G1/2
SB-B4-0106*	SAE10, 7/8-14

Body for 3-Way SIC Valve


Model BP3	Connecting port	
	1, 2	3
SB-BP3-0103*	G3/8	G1/4
SB-BP3-0104*	SAE8, 3/4-16	SAE6, 9/16-18
SB-BP3-0105*	G1/2	G1/4
SB-BP3-0106*	SAE10, 7/8-14	SAE6, 9/16-18

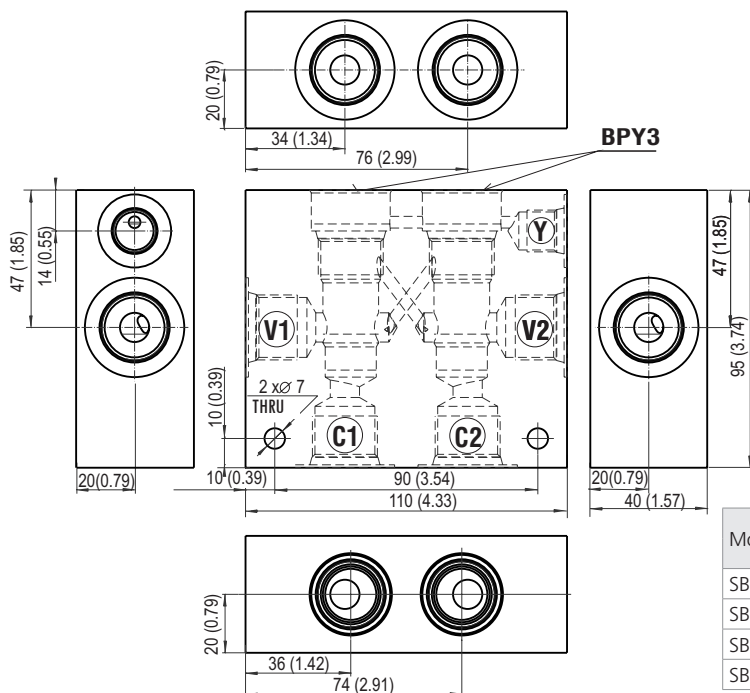
Body for 3-Way SIC Valve - Body configuration 02


Model BP3	Connecting port
	V1, V2, C1, C2
SB-BP3-0203*	G3/8
SB-BP3-0204*	SAE8, 3/4-16
SB-BP3-0205*	G1/2
SB-BP3-0206*	SAE10, 7/8-14

Body for 4-Way SIC Valve


Model BPY3	Connecting port	
	1, 2	3, 4
SB-BPY3-0103*	G3/8	G1/4
SB-BPY3-0104*	SAE8, 3/4-16	SAE6, 9/16-18
SB-BPY3-0105*	G1/2	G1/4
SB-BPY3-0106*	SAE10, 7/8-14	SAE6, 9/16-18

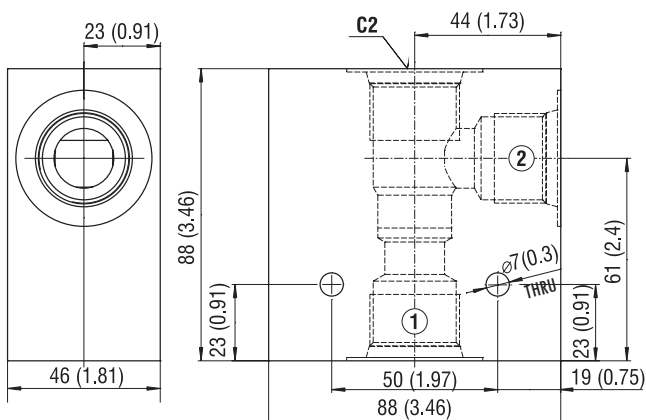
Body for 4-Way SIC Valve - Body configuration 02



Model BPY3	Connecting port	
	V1, V2, C1, C2	Y
SB-BPY3-0203*	G3/8	G1/4
SB-BPY3-0204*	SAE8, 3/4-16	SAE6, 9/16-18
SB-BPY3-0205*	G1/2	G1/4
SB-BPY3-0206*	SAE10, 7/8-14	SAE6, 9/16-18

C2 - 1-1/16-12 UN-2B

Body for 2-Way SIC Valve

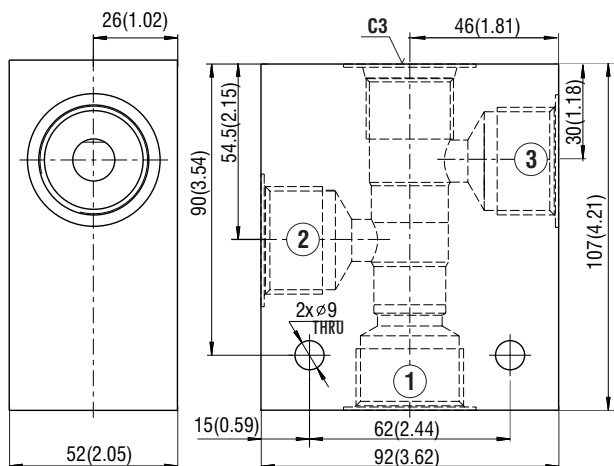


Model C2	Connecting port	
	1, 2	
SB-C2-0108*	SAE12, 1-1/16-12	

C3 - 1-1/16-12 UN-2B

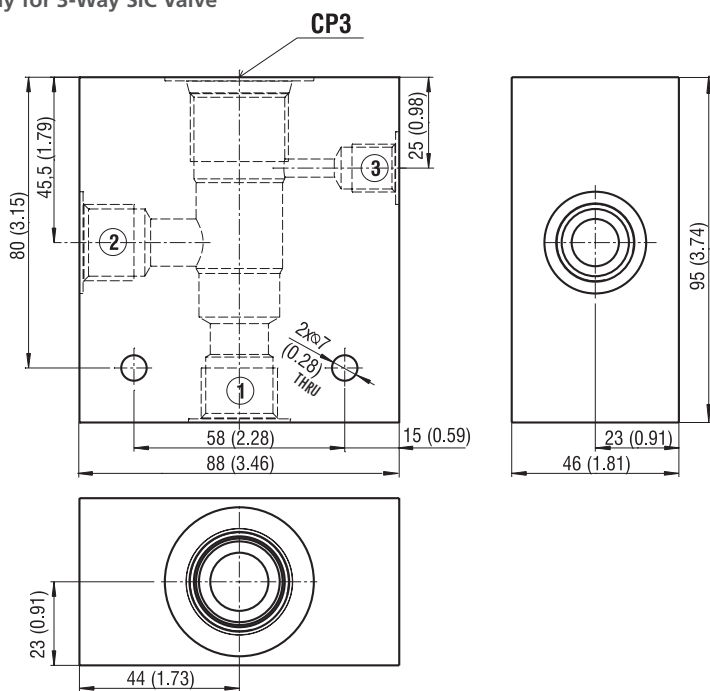
Dimensions in millimeters (inches)

Body for 3-Way SIC Valve



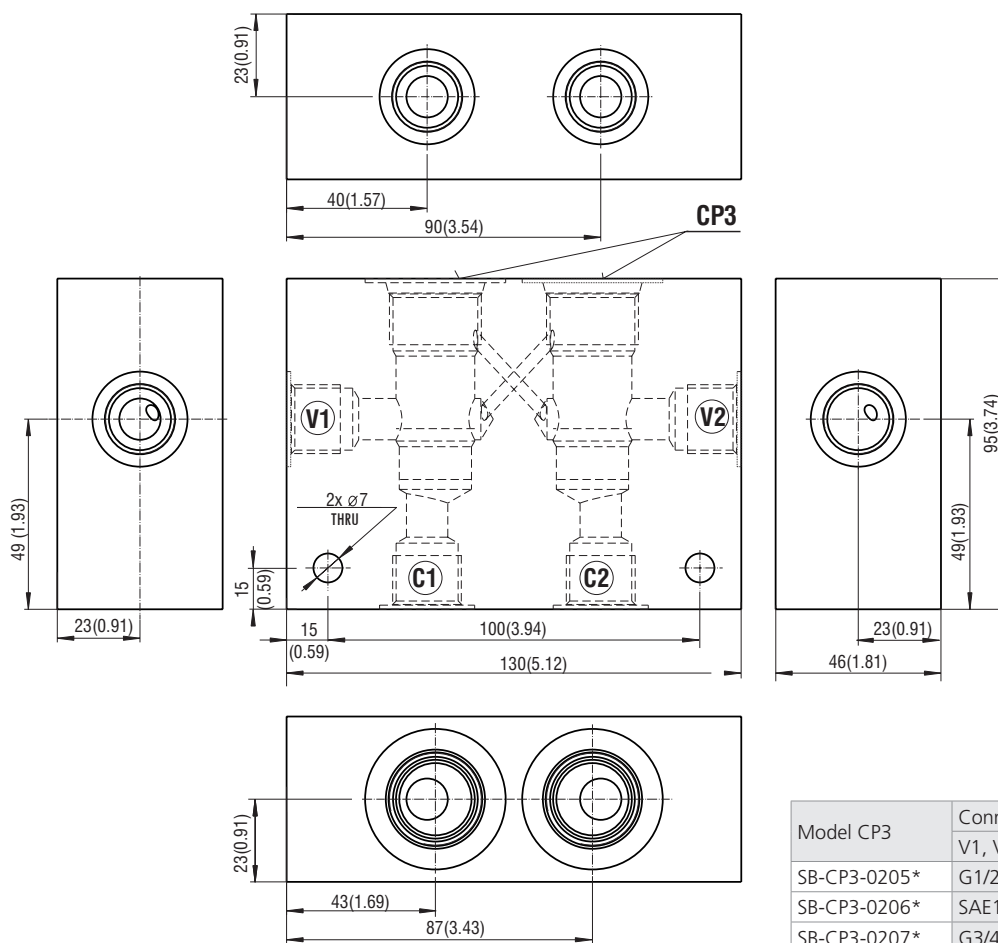
Model C3	Connecting port	
	1, 2, 3	
SB-C3-0107*	G3/4	
SB-C2-0108*	SAE12, 1-1/16-12	
SB-C3-0109*	G1	
SB-C3-0110*	SAE16, 1-5/16-12	

Body for 3-Way SIC Valve



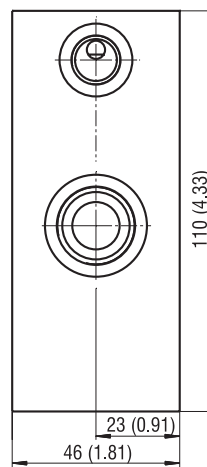
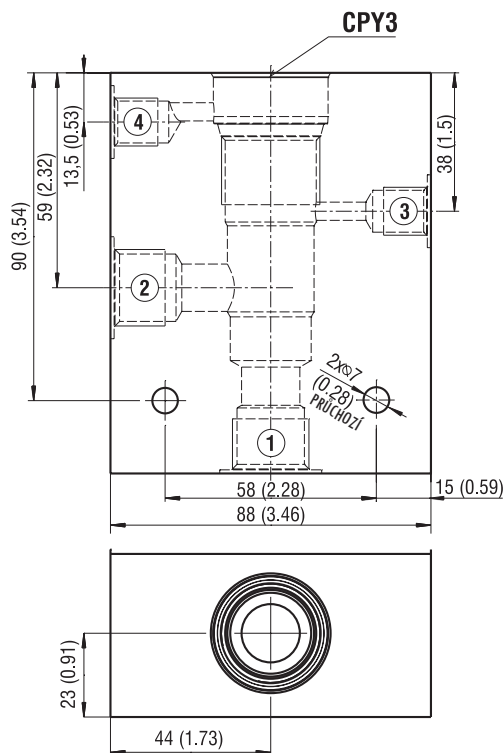
Model CP3	Connecting port	
	1, 2	3
SB-CP3-0105*	G1/2	G1/4
SB-CP3-0106*	SAE10, 7/8-14	SAE6, 9/16-18
SB-CP3-0107*	G3/4	G1/4
SB-CP3-0108*	SAE12, 1-1/16-12	SAE6, 9/16-18

Body for 3-Way SIC Valve - Body configuration 02



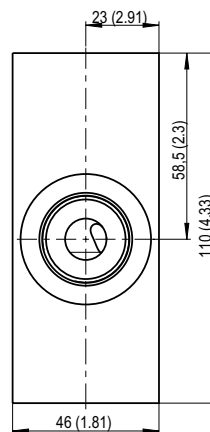
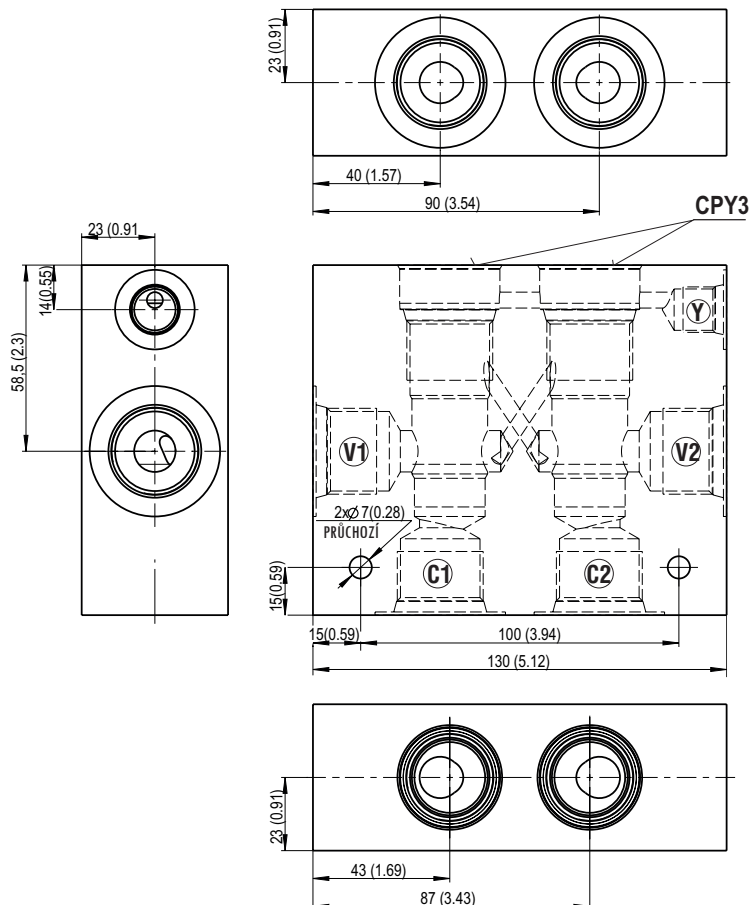
Model CP3	Connecting port	
	V1, V2, C1, C2	
SB-CP3-0205*	G1/2	
SB-CP3-0206*	SAE10, 7/8-14	
SB-CP3-0207*	G3/4	
SB-CP3-0208*	SAE12, 1-1/16	

Body for 4-Way SIC Valve



Model CPY3	Connecting port	
	1, 2	3, 4
SB-CPY3-0105*	G1/2	G1/4
SB-CPY3-0106*	SAE10, 7/8-14	SAE6, 9/16-18
SB-CPY3-0107*	G3/4	G1/4
SB-CPY3-0108*	SAE12, 1-1/16-12	SAE6, 9/16-18

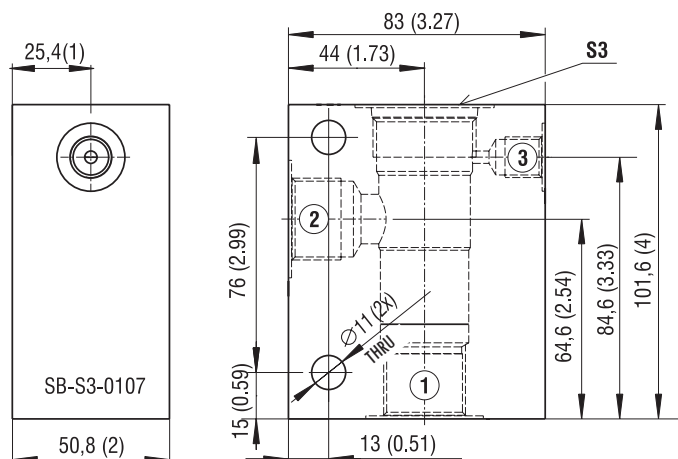
Body for 4-Way SIC Valve - Body configuration 02



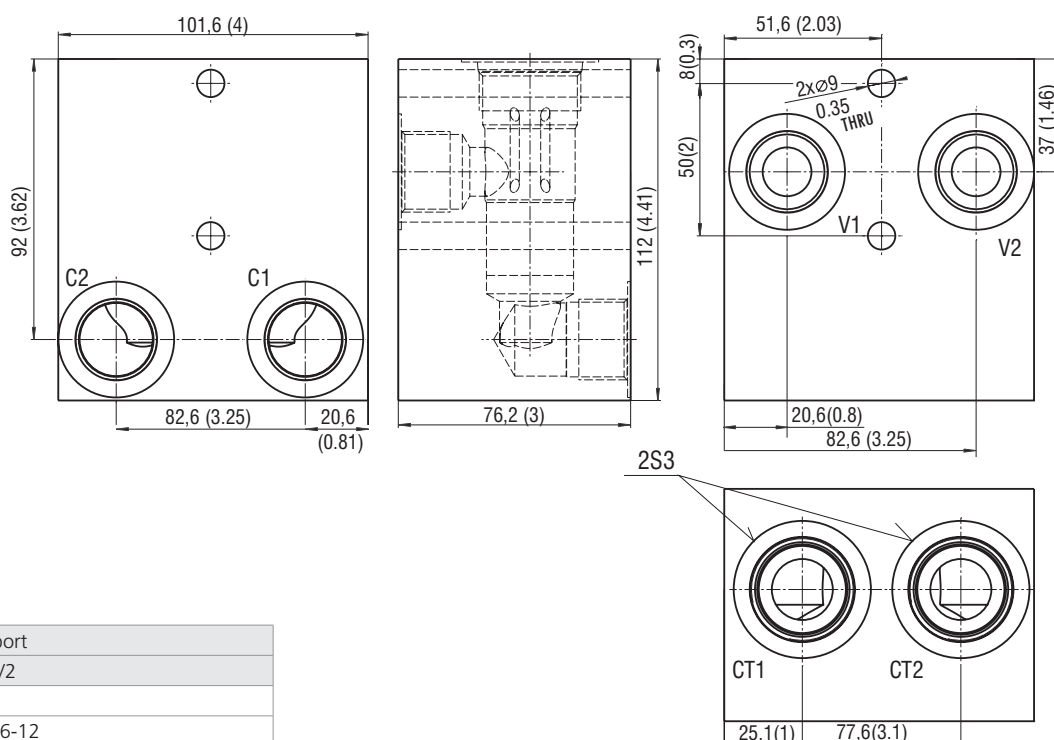
Model CPY3	Connecting port	
	V1, V2, C1, C2	Y
SB-CPY3-0205*	G1/2	G1/4
SB-CPY3-0206*	SAE10, 7/8-14	SAE6, 9/16-18
SB-CPY3-0207*	G3/4	G1/4
SB-CPY3-0208*	SAE12, 1-1/16-12	SAE6, 9/16-18

S3 - 1-5/16-12 UNF-2B

Dimensions in millimeters (inches)

Body for 3-Way SIC Valve - Body configuration 01


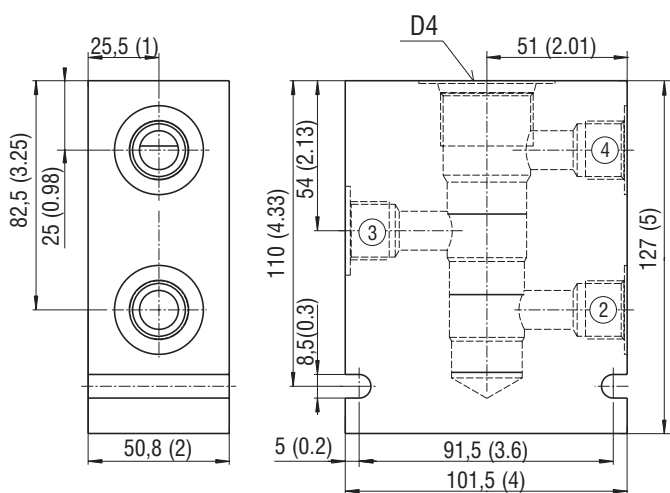
Model S3	Connecting port	
	1, 2	3
SB-S3-0107*	G3/4	G1/4
SB-S3-0108*	SAE12, 1-1/16-12	SAE6, 9/16-18

Body for 3-Way SIC Valve - Body configuration 02


Model S3	Connecting port
	C1, C2, V1, V2
SB-S3-0207*	G3/4
SB-S3-0208*	SAE12, 1-1/16-12

D4 - 1-5/16-12 UN-2B

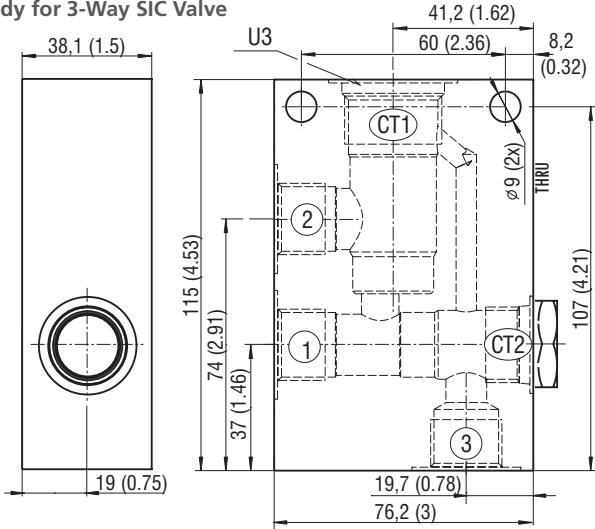
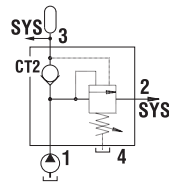
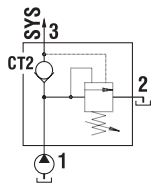
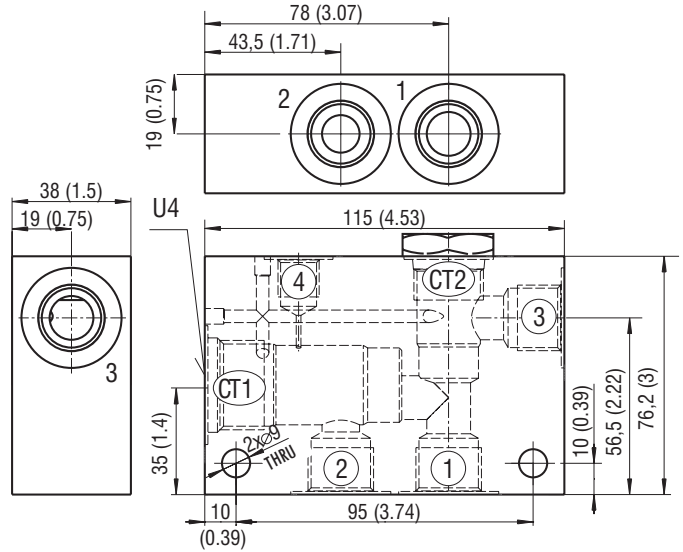
Dimensions in millimeters (inches)

Body for 4-Way SIC Valve


Model D4	Connecting port
	2, 3, 4
SB-D4-0105*	G1/2
SB-D4-0106*	SAE10, 7/8-14

U3, U4 - 1-1/8-12 UNF-2B

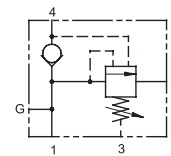
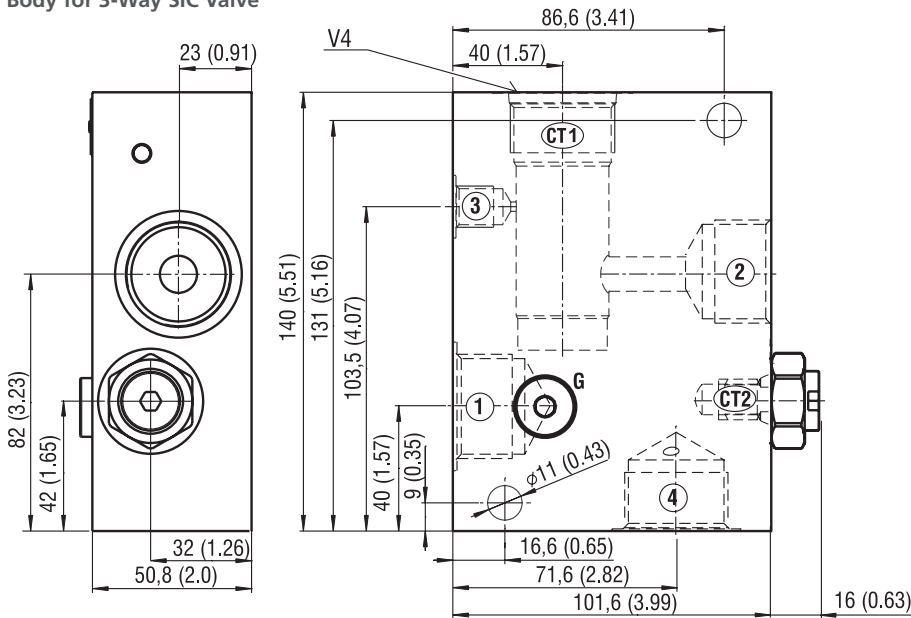
Dimensions in millimeters (inches)

Body for 3-Way SIC Valve

Body for 4-Way SIC Valve


Model U3, U4	Connecting port	
	1, 2, 3	4
SB-U3-0105*	G1/2	-
SB-U3-0106*	SAE10, 7/8-14	-
SB-U4-0105*	G1/2	G1/4
SB-U4-0106*	SAE10, 7/8-14	SAE6, 9/16-18

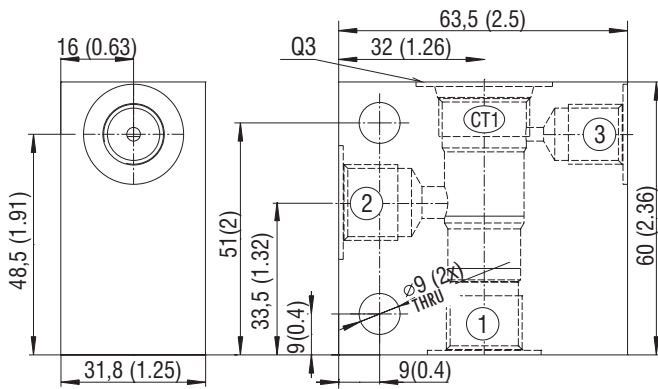
V4 - 1-5/16-12 UN-2B

Dimensions in millimeters (inches)

Body for 3-Way SIC Valve


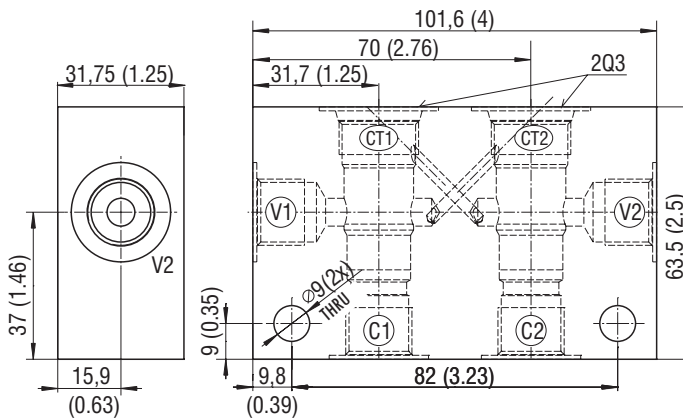
Model V4	Connecting port	
	1, 2, 4	3, G
SB-V4-0109*	G1	G1/4

Body for 3-Way SIC Valve - Body configuration 01



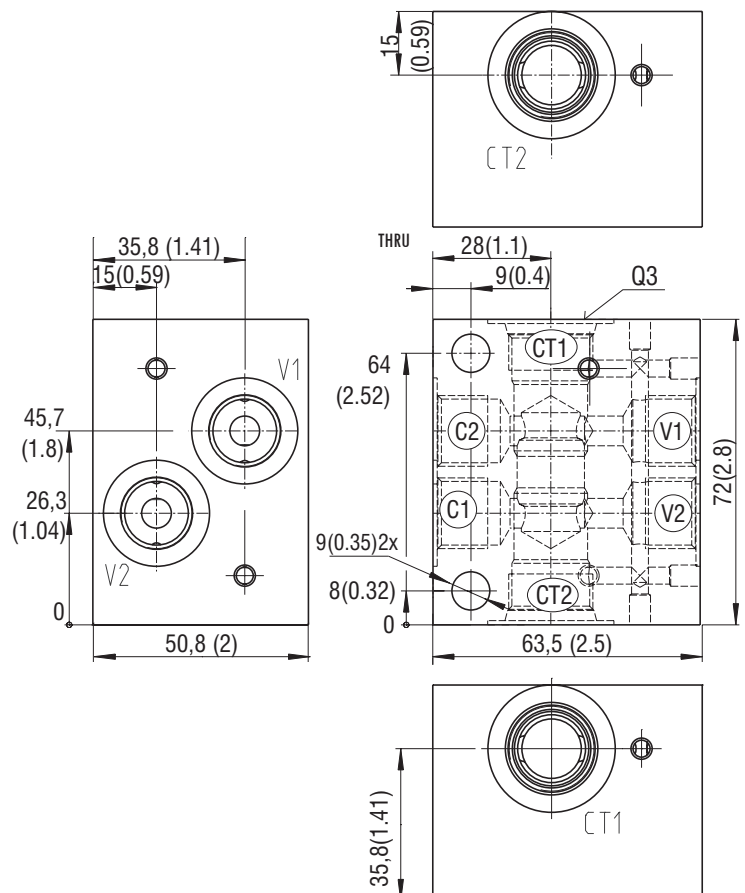
Model Q3	Connecting port	
	1, 2	3
SB-Q3-0103*	G3/8	G1/4
SB-Q3-0104*	SAE8, 3/4-16	SAE6, 9/16-18

Body for 3-Way SIC Valve - Body configuration 02



Model Q3	Connecting port	
	C1, C2, V1, V2	
SB-Q3-0203*	G3/8	
SB-Q3-0204*	SAE8, 3/4-16	

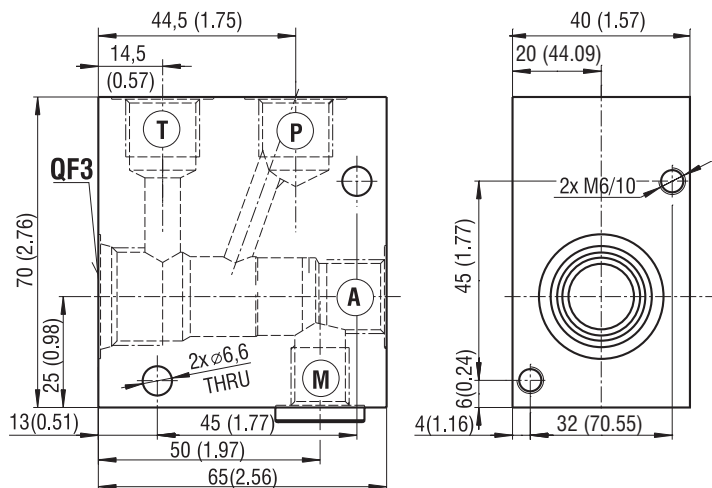
Body for 3-Way SIC Valve - Body configuration 03



Model Q3	Connecting port	
	C1, C2, V1, V2	
SB-Q3-0303*	G3/8	

QF3 - M22x1.5

Dimensions in millimeters (inches)

Body for 3-Way SIC Valve


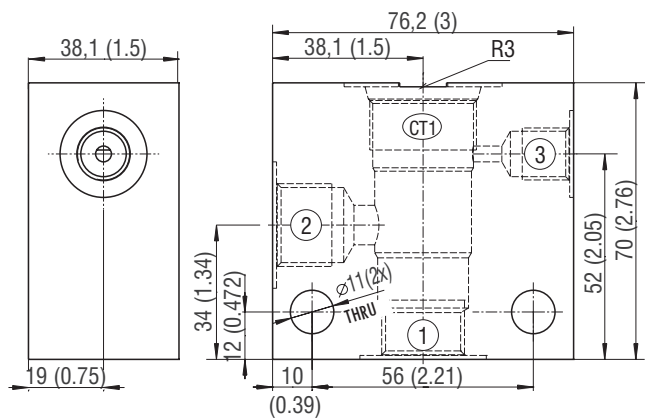
i The steel end plugs are screwed into port M. The sealing material on these end plugs is either NBR or Viton, see the ordering code.

Model QF3	Former name
SB-QF3-0103G*	RRA1-06

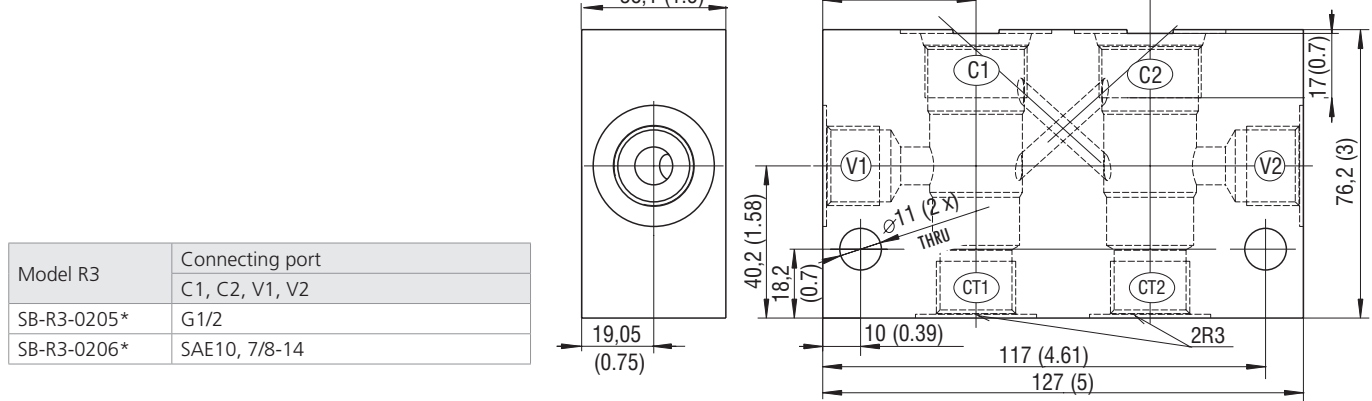
Model QF3	Connecting port	
	P, T, A	M
SB-QF3-0103G*	G3/8	G1/4

R3 - M27x1.5

Dimensions in millimeters (inches)

Body for 3-Way SIC Valve - Body configuration 01


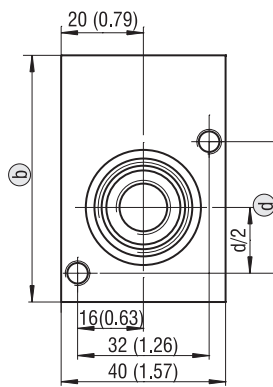
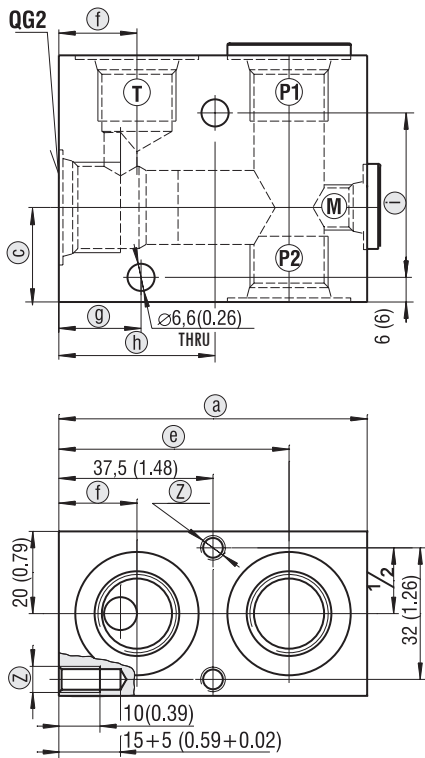
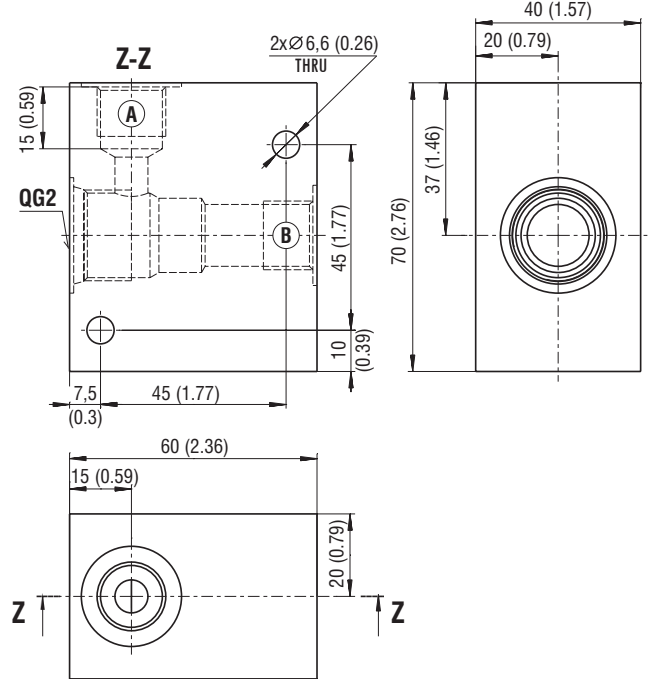
Model R3	Connecting port	
	1, 2	3
SB-R3-0105*	G1/2	G1/4
SB-R3-0106*	SAE10, 7/8-14	SAE6, 9/16-18

Body for 3-Way SIC Valve - Body configuration 02


Model R3	Connecting port
	C1, C2, V1, V2
SB-R3-0205*	G1/2
SB-R3-0206*	SAE10, 7/8-14

QG2 - M22x1.5

Dimensions in millimeters (inches)

Body for 2-Way SIC Valve
Body with gauge port M

Body without gauge port M


The steel end plugs are screwed into ports M and P1. The sealing material on these end plugs is either NBR or Viton, see the ordering code.

Body with gauge port M

Model QG2	Former name	Connecting thread	Model QG2	Former name	Connecting thread
SB-QG2-0103PMG*	RA1-06	G3/8	SB-QG2-0105PMG*	RA2-06	G1/2
SB-QG2-0103MG*	RB1-06		SB-QG2-0105MG*	RB2-06	
SB-QG2-0104PMG*	RA3-06	SAE8, 3/4-16	SB-QG2-0106PMG*	RA4-06	SAE10, 7/8-14
SB-QG2-0104MG*	RB3-06		SB-QG2-0106MG*	RB4-06	

Body without gauge port M

Model QG2	Former name	Connecting thread
SB-QG2-0103G*	R1-ROE3	G3/8
SB-QG2-0104G*	R3-ROE3	SAE8, 3/4-16
SB-QG2-0105G*	R2-ROE3	G1/2
SB-QG2-0106G*	R4-ROE3	SAE10, 7/8-14

Body with gauge port M

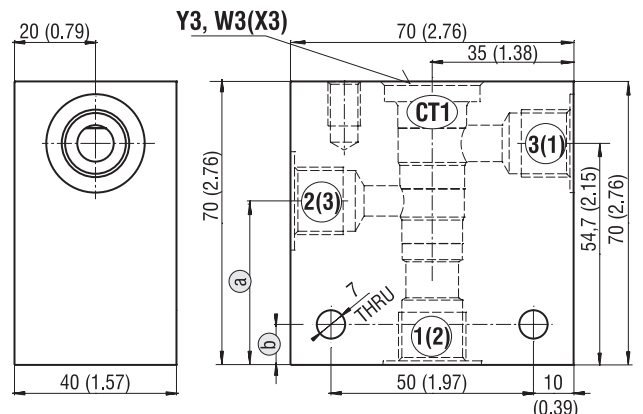
Model QG2	Connecting port					Dimensions in mm (in)									
	P1	P2	T	M	Z	a	b	c	d	e	f	g	h	i	
SB-QG2-0103PMG*	G3/8	G3/8	G3/8	G1/4	M6-6H	60 (2.36)	70 (2.76)	33 (1.30)	45 (1.77)	39 (1.54)	12.5 (0.49)	7.5 (0.30)	52.5 (2.07)	45 (1.77)	
SB-QG2-0103MG*	G3/8	-	G3/8	G1/4	M6-6H	60 (2.36)	70 (2.76)	33 (1.30)	60 (2.36)	38 (1.50)	15 (0.59)	7.5 (0.30)	38 (1.50)	45 (1.77)	
SB-QG2-0104PMG*	SAE8	SAE8	SAE8	SAE4	1/4-20UNC-2B	75 (2.95)	60 (2.36)	33 (1.30)	32 (1.26)	56 (2.20)	19 (0.75)	20 (0.78)	38 (1.50)	40 (1.57)	
SB-QG2-0104MG*	SAE8	-	SAE8	SAE4	1/4-20UNC-2B	60 (2.36)	60 (2.36)	23 (0.91)	32 (1.26)	40 (1.57)	19 (0.75)	20 (0.78)	38 (1.50)	40 (1.57)	
SB-QG2-0105PMG*	G1/2	G1/2	G1/2	G1/4	M6-6H	70 (2.76)	70 (2.76)	33 (1.30)	45 (1.77)	46 (1.81)	14 (0.55)	18 (0.70)	63 (2.48)	45 (1.77)	
SB-QG2-0105MG*	G1/2	-	G1/2	G1/4	M6-6H	60 (2.36)	70 (2.76)	33 (1.30)	45 (1.77)	38 (1.50)	16 (0.63)	7.5 (0.30)	38 (1.50)	45 (1.77)	
SB-QG2-0106PMG*	SAE10	SAE10	SAE10	SAE4	1/4-20UNC-2B	75 (2.95)	60 (2.36)	23 (0.91)	32 (1.26)	56 (2.20)	19 (0.75)	20 (0.79)	38 (1.50)	40 (1.57)	
SB-QG2-0106MG*	SAE10	-	SAE10	SAE4	1/4-20UNC-2B	60 (2.36)	60 (2.36)	23 (0.91)	32 (1.26)	40 (1.57)	19 (0.75)	20 (0.79)	38 (1.50)	40 (1.57)	

Y3, W3 (X3) - M27x2

Dimensions in millimeters (inches)

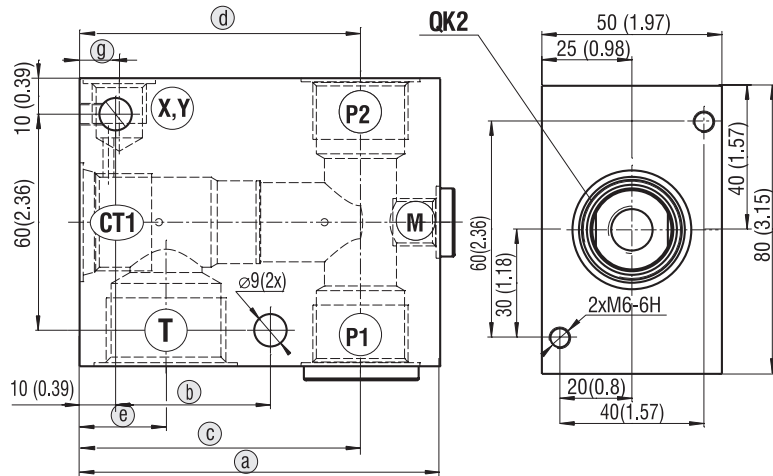
Body for 3-Way SIC Valve

Model	Connecting port 1, 2, 3	Dimensions in mm (in)	
		a	b
SB-Y3-0103*	G3/8	29.5 (1.16)	10 (0.39)
SB-W3-0103*	G3/8	37.7 (1.48)	10 (0.39)
SB-W3-0104*	SAE8, 3/4-16	37.7 (1.48)	20 (0.79)
SB-X3-0103*	G3/8	37.7 (1.48)	10 (0.39)
SB-X3-0104*	SAE8, 3/4-16	37.7 (1.48)	20 (0.79)



QK2, QL3 - M22x1.5

Dimensions in millimeters (inches)

Body for 2(3)-Way SIC Valve


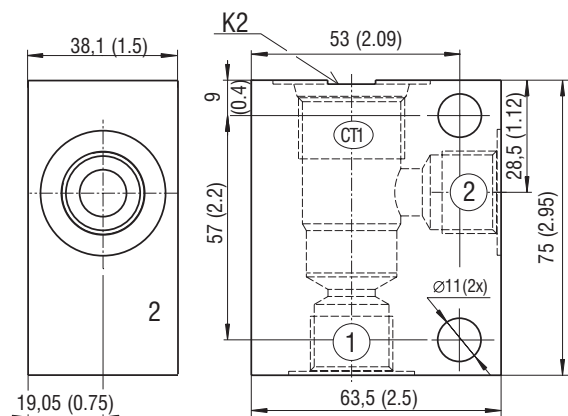
The steel end plugs are screwed into ports M and P1. The sealing material on these end plugs is either NBR or Viton, see the ordering code.

Model	Former nam	Connecting thread
SB-QK2-0107PMG*	RA2-10	G3/4
SB-QK2-0107MG*	RB2-10	
SB-QK2-0108PMG*	RA3-10	SAE12, 1-1/16
SB-QL3-0107XYMG*	RC2-10	G3/4

Model	Connecting port					Dimensions in mm (in)					
	P1	P2	T	M	X, Y	a	b	c	d	e	g
SB-QK2-0107PMG*	G3/4	G3/4	G1	G1/4	-	100 (3.94)	43 (1.69)	78 (3.07)	78 (3.07)	24 (0.94)	-
SB-QK2-0108PMG*	SAE12	SAE12	SAE16	SAE4	-	100 (3.94)	43 (1.69)	78 (3.07)	78 (3.07)	24 (0.94)	-
SB-QK2-0107MG*	G3/4	-	G1	G1/4	-	90 (3.54)	70 (2.76)	68 (2.68)	-	24 (0.94)	-
SB-QL3-0107XYMG*	G3/4	-	G1	G1/4	X-G1/4	100 (3.94)	70 (2.76)	68 (2.68)	-	35 (1.38)	11 (0.43)

K2 - M27x2

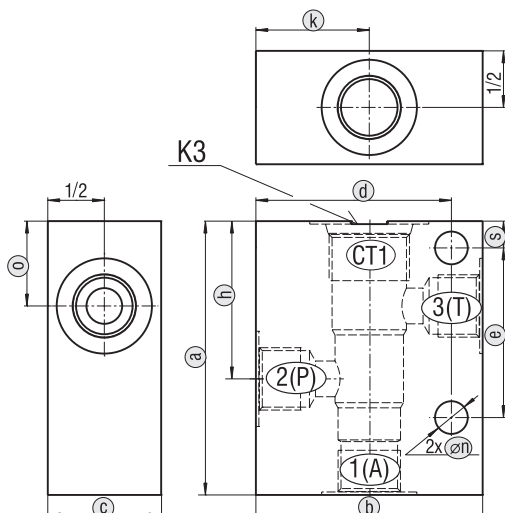
Dimensions in millimeters (inches)

Body for 3-Way SIC Valve


Model K2	Connecting port
	1, 2
SB-K2-0105*	G1/2
SB-K2-0106*	SAE10, 7/8-14

K3 - M27x2

Dimensions in millimeters (inches)

Body for 3-Way SIC Valve


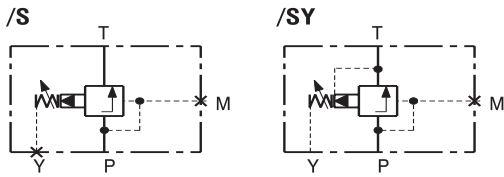
Dimensions in mm (in)	a	b	c	d	e	s	o	h	k	n
SB-K3-0105*	92	76,2	38	65,7	57	9	28,5	53	38,1	10
SB-K3-0106*	(3.62)	(3.00)	(1.49)	(2.59)	(2.24)	(0.35)	(1.12)	(2.09)	(1.50)	(0.39)
SB-K3-0111*	105	80	45	70	85	10	54	24	35	11
	(4.13)	(3.15)	(1.77)	(2.76)	(3.35)	(0.39)	(2.13)	(0.94)	(1.38)	(0.43)

Model K3	Connecting port	
	1, 2 (A, P)	3 (T)
SB-K3-0105*	G1/2	G1/2
SB-K3-0106*	SAE10, 7/8-14	SAE10, 7/8-14
SB-K3-0111*	G3/4	G1/2

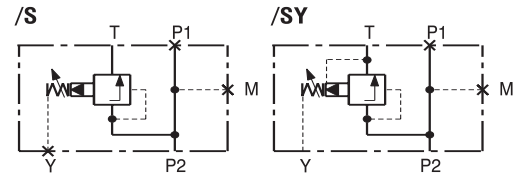
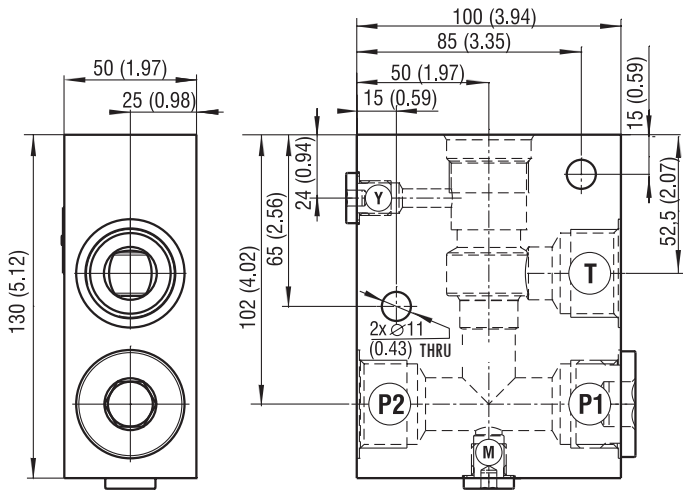
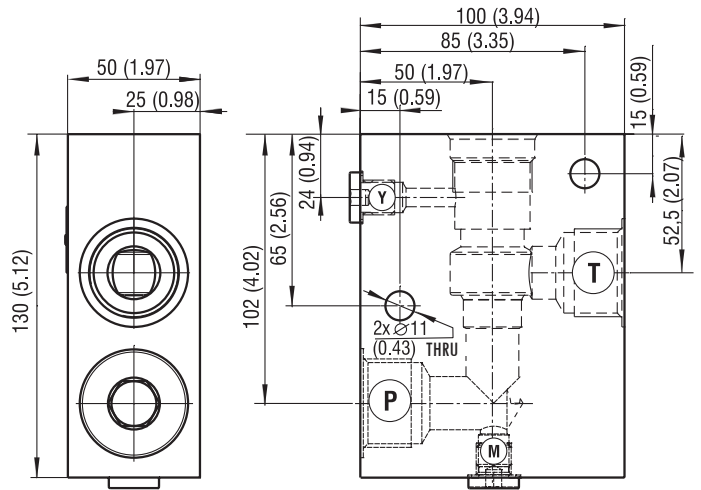
RB2 - M30x1.5

Dimensions in millimeters (inches)

Valve VPN1-20/S plug in Y port
Valve VPN1-20/SY without a the plug in the Y port



Model RB2	Connecting ports		
	P, T	Y	M
SB-RB2-0109XYMST-B	G1	G1/4	G1/4

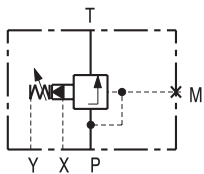


Model RB2	Connecting ports		
	P1, P2, T	Y	M
SB-RB2-0109PXYMST-B	G1	G1/4	G1/4

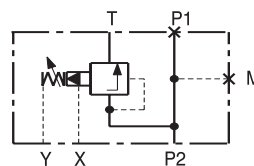
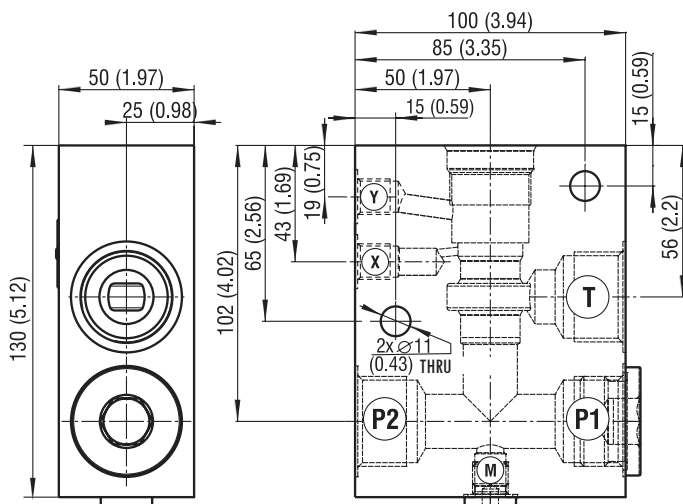
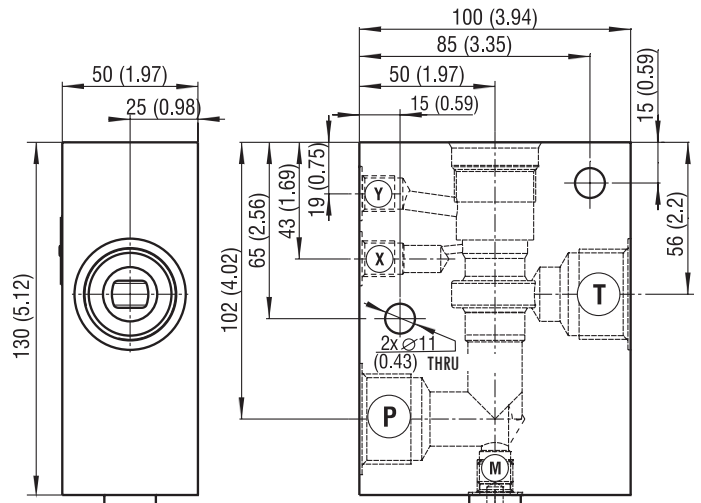
RB3 - M30x1.5

Dimensions in millimeters (inches)

Valve VPN1-20/SX without plugs in the X, Y ports

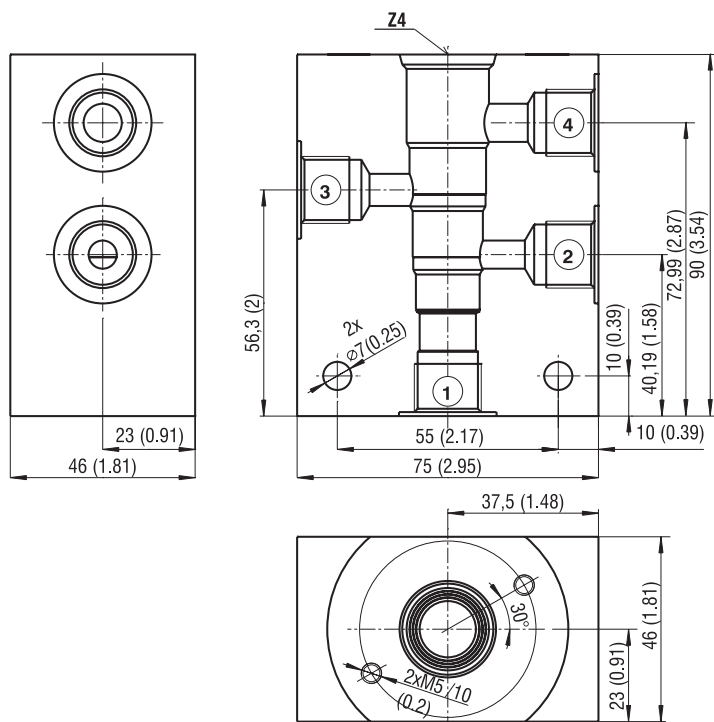


Model RB3	Connecting ports		
	P, T	X, Y	M
SB-RB3-0109XYMST-B	G1	G1/4	G1/4



Model RB3	Connecting ports		
	P1, P2, T	X, Y	M
SB-RB3-0109PXYMST-B	G1	G1/4	G1/4

Body for 4-Way SIC Valve



Model Z4	Connecting port
	1, 2, 3, 4
SB-Z4-0103AL	G3/8