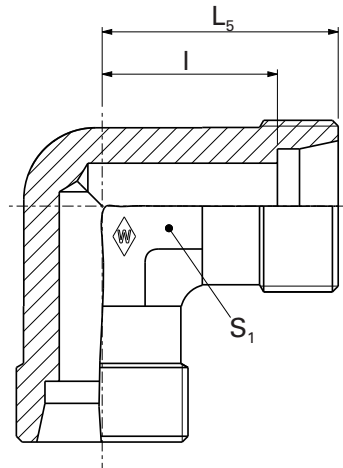


**WS ...**  
**WS ... -1.4571**



E

System nuts for supplementing the stud  
 (for technical data, see part D of this catalog)

| Series     | PN bar (psi) | Tube outer diameter | Model   | kg/100 pc. | Stud      | Stud                            | WALRING    | WALFORM     | WALFORM                             |
|------------|--------------|---------------------|---------|------------|-----------|---------------------------------|------------|-------------|-------------------------------------|
|            |              |                     |         |            | WS ...    | Stainless steel WS ... -1.4571* | W-R ... VI | WF-M ... VI | stainless steel WF-M ... VI-1.4571* |
|            |              |                     |         |            | Art. no.  | Art. no.                        | Art. no.   | Art. no.    | Art. no.                            |
| LL         | 100 (1450)   | 4                   | WS 4 LL | 1.2        | WAL037863 | WAL604070                       |            |             |                                     |
|            |              | 6                   | WS 6 LL | 1.4        | WAL037865 | WAL061567                       |            |             |                                     |
|            |              | 8                   | WS 8 LL | 2.2        | WAL037866 | WAL065337                       |            |             |                                     |
| L          | 500 (7252)   | 6                   | WS 6 L  | 2.8        | WAL037867 | WAL025576                       | WAL624607  | WAL625940   | WAL625980                           |
|            |              | 8                   | WS 8 L  | 4.1        | WAL037868 | WAL025577                       | WAL624608  | WAL625941   | WAL625981                           |
|            |              | 10                  | WS 10 L | 5.7        | WAL037869 | WAL025578                       | WAL624609  | WAL625942   | WAL625982                           |
|            | 400 (5801)   | 12                  | WS 12 L | 8          | WAL037870 | WAL025579                       | WAL624610  | WAL625943   | WAL625983                           |
|            |              | 15                  | WS 15 L | 7.5        | WAL037871 | WAL025580                       | WAL624611  | WAL625944   | WAL625984                           |
|            |              | 18                  | WS 18 L | 11.2       | WAL037872 | WAL025581                       | WAL624612  | WAL625945   | WAL625985                           |
| 250 (3626) | 22           | WS 22 L             | 14.9    | WAL037873  | WAL025582 | WAL624613                       | WAL625946  | WAL625986   |                                     |
|            | 28           | WS 28 L             | 25.2    | WAL037874  | WAL025583 | WAL624614                       | WAL625947  | WAL625987   |                                     |
|            | 35           | WS 35 L             | 46.5    | WAL037875  | WAL025584 | WAL624615                       | WAL625948  | WAL625988   |                                     |
|            | 42           | WS 42 L             | 61.6    | WAL037876  | WAL025585 | WAL624616                       | WAL625949  | WAL625989   |                                     |
|            | S            | 800 (11603)         | 6       | WS 6 S     | 9.4       | WAL037877                       | WAL025586  | WAL624617   | WAL625950                           |
| 8          |              |                     | WS 8 S  | 7.2        | WAL037878 | WAL025587                       | WAL624618  | WAL625951   | WAL625991                           |
| 10         |              |                     | WS 10 S | 9.7        | WAL037879 | WAL025588                       | WAL624619  | WAL625952   | WAL625992                           |
| 630 (9137) |              | 12                  | WS 12 S | 13.6       | WAL037880 | WAL025589                       | WAL624620  | WAL625953   | WAL625993                           |
|            |              | 14                  | WS 14 S | 9.8        | WAL037881 | WAL025590                       |            |             |                                     |
|            |              | 16                  | WS 16 S | 14.4       | WAL037882 | WAL025591                       | WAL624621  | WAL625954   | WAL625994                           |
| 420 (6091) |              | 20                  | WS 20 S | 20         | WAL037883 | WAL025592                       | WAL624622  | WAL625955   | WAL625995                           |
|            |              | 25                  | WS 25 S | 36.5       | WAL037884 | WAL025593                       | WAL624623  | WAL625956   | WAL625996                           |
|            |              | 30                  | WS 30 S | 46.5       | WAL037885 | WAL025594                       | WAL624624  | WAL625957   | WAL625997                           |
|            |              | 38                  | WS 38 S | 66         | WAL037886 | WAL025595                       | WAL624625  | WAL625958   | WAL625998                           |

**⚠ Caution:** The pressure specifications refer to the steel version. For the stainless steel version (1.4571), please refer to the pressure specifications on page B5.

Special parts are available on request.